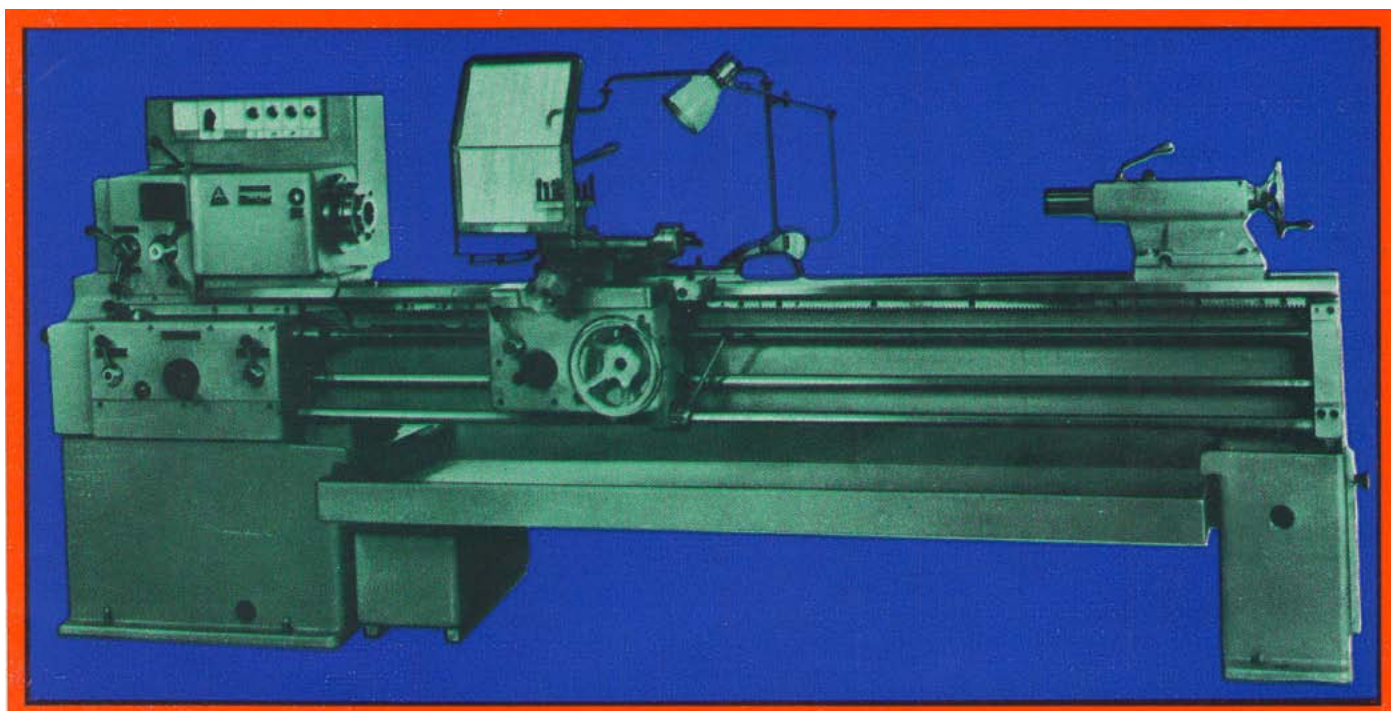


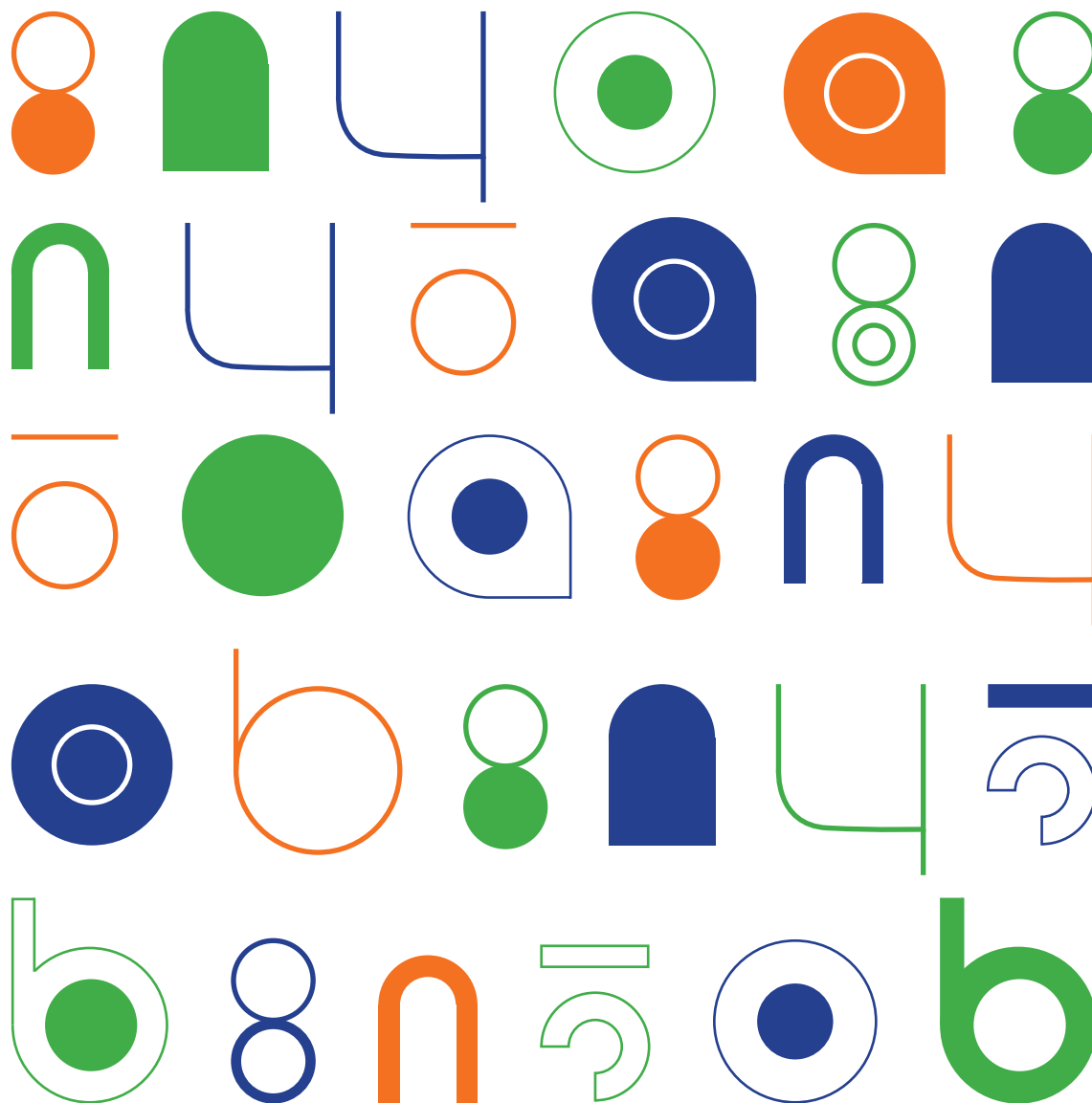
**SN40A SN45A SN50A**

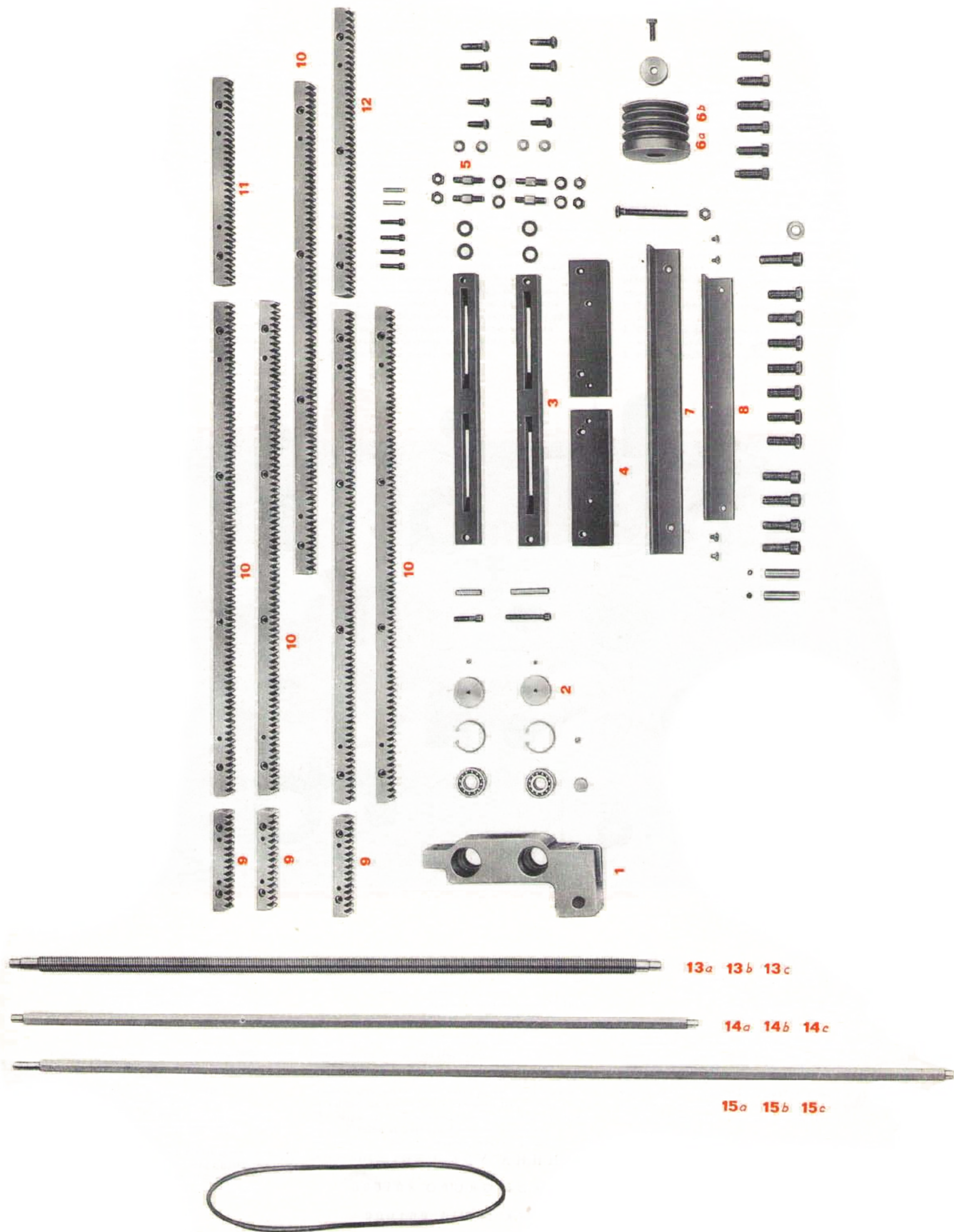
**SN40B SN45B SN50B**

**KATALÓG NÁHRADNÝCH DIELOV**

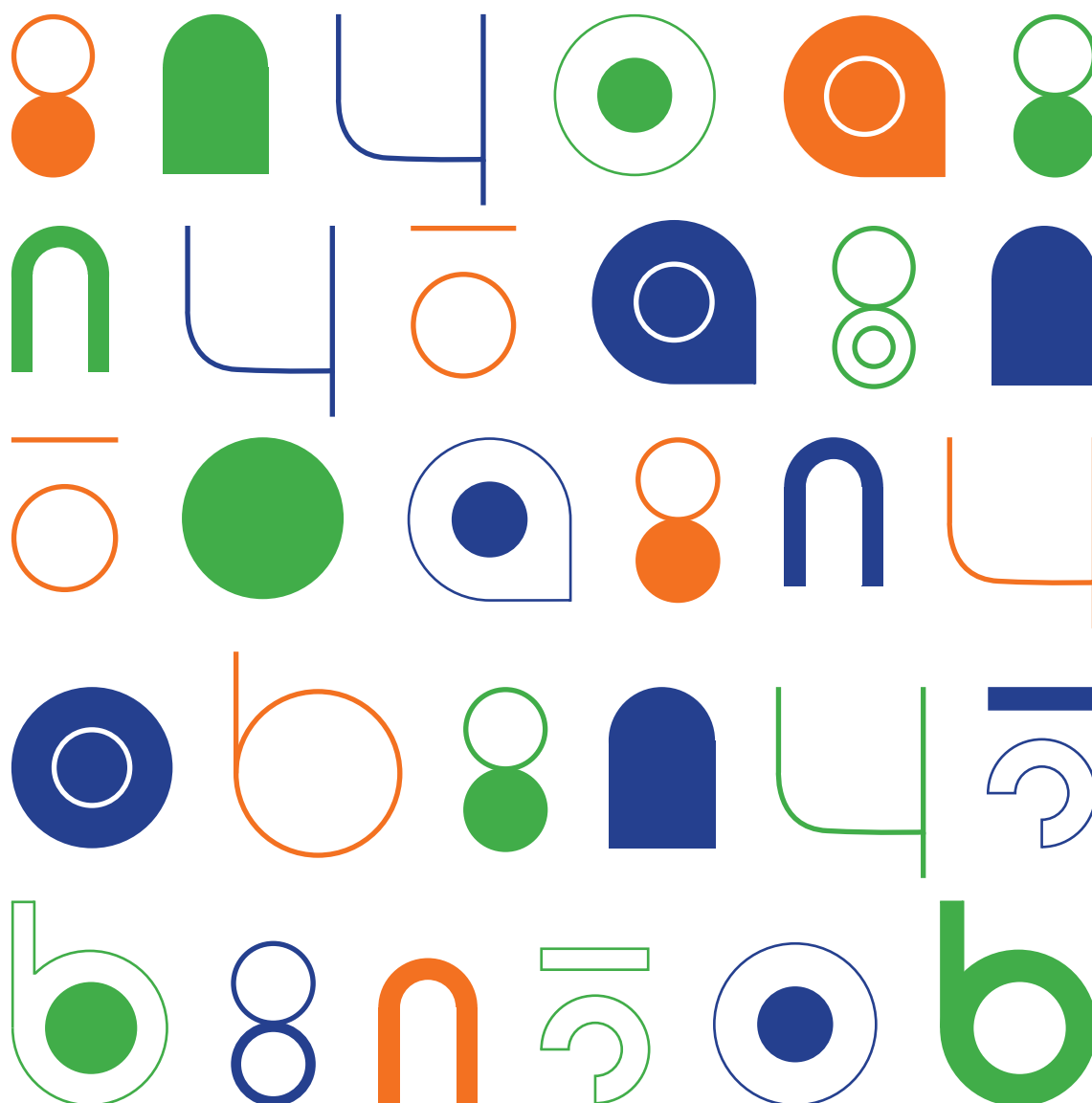


|                                |    |
|--------------------------------|----|
| Lůžko 801000 .....             | 3  |
| Vreteník 802000 .....          | 6  |
| Rýchlostná skriňa 803000 ..... | 9  |
| Závitová skriňa 806000 .....   | 18 |
| Suprtová skriňa 807000 .....   | 23 |
| Sane, suprtory 804000 .....    | 27 |
| Koník 805000 .....             | 31 |





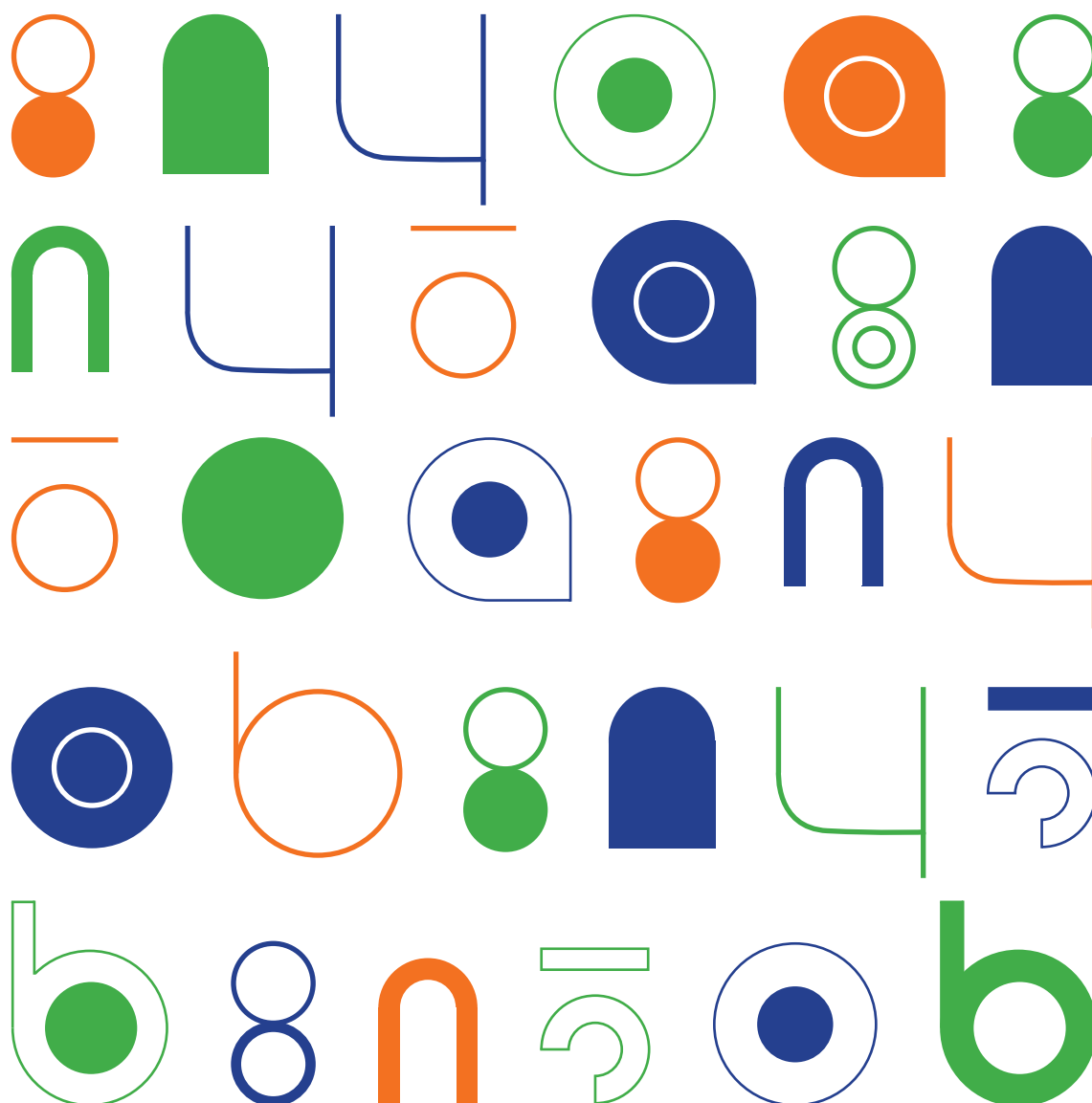
| 1                                    | 2           | 3             | 4               | 5        | 6                     | 1                             | 2      | 3            | 4               | 5 | 6                     |
|--------------------------------------|-------------|---------------|-----------------|----------|-----------------------|-------------------------------|--------|--------------|-----------------|---|-----------------------|
| Poradové číslo                       | Bežné číslo | Číslo výkresu | Názov           | Počet ks | Váha / ks (kg)        | Platí pre točnú dĺžku 2000 mm |        |              |                 |   |                       |
| 1                                    | 801006      | 2 04 09 1443  | Koncové ložisko | 1        | 6.2                   | 9                             | 801215 | 4 04 19 233  | Hrebeň          | 1 | 0.86<br>SN40A<br>-50A |
| 2                                    | 801011      | 5 04 30 1724  | Zátka           | 2        | 0.08                  | 10                            | 801122 | 3 04 19 342  | Hrebeň          | 2 | 4.3                   |
| 3                                    | 801039      | 4 04 34 3413  | Lišta pod motor | 2        | 3.1                   | 12                            | 801173 | 3 04 19 341  | Hrebeň          | 1 | 2.5                   |
| 4                                    | 801043      | 4 50 34 557   | Lišta           | 2        | 0.07                  | 13c                           | 801180 | 3 04 39 288  | Vodiaca skrutka | 1 | 21.9                  |
| 5                                    | 801041      | 5 50 41 354   | Skrutka         | 4        | 0.07                  | 14c                           | 801177 | 3 04 11 2618 | Ťažný hriadeľ   | 1 | 13.18                 |
| 6a                                   | 801032      | 4 50 09 331   | Remenica        | 1        | 4.2<br>50Hz           | 15c                           | 801178 | 3 04 11 3361 | Vypínacia tyč   | 1 | 16                    |
| 6b                                   | 801034      | 4 50 09 332   | Remenica        | 1        | 3.5<br>60Hz           |                               |        |              |                 |   |                       |
| 7                                    | 822006      | 3 04 54 525   | Lišta ľavá      | 1        | 1.95                  |                               |        |              |                 |   |                       |
| 8                                    | 822007      | 3 04 51 526   | Lišta pravá     | 1        | 1.55                  |                               |        |              |                 |   |                       |
| <b>Platí pre točnú dĺžku 1000 mm</b> |             |               |                 |          |                       |                               |        |              |                 |   |                       |
| 9                                    | 801215      | 4 04 19 233   | Hrebeň          | 1        | 0.86<br>SN40A<br>-50A |                               |        |              |                 |   |                       |
| 10                                   | 801122      | 3 04 19 342   | Hrebeň          | 1        | 4.3                   |                               |        |              |                 |   |                       |
| 11                                   | 801121      | 3 04 19 340   | Hrebeň          | 1        | 1.8                   |                               |        |              |                 |   |                       |
| 13a                                  | 801130      | 3 04 39 287   | Vodiaca skrutka | 1        | 13.8                  |                               |        |              |                 |   |                       |
| 14a                                  | 801126      | 3 04 11 2617  | Ťažný hriadeľ   | 1        | 9                     |                               |        |              |                 |   |                       |
| 15a                                  | 801128      | 3 04 11 3359  | Vypínacia tyč   | 1        | 11.1                  |                               |        |              |                 |   |                       |
| <b>Platí pre točnú dĺžku 1500 mm</b> |             |               |                 |          |                       |                               |        |              |                 |   |                       |
| 9                                    | 801215      | 4 04 19 233   | Hrebeň          | 1        | 0.86<br>SN40A<br>-50A |                               |        |              |                 |   |                       |
| 10                                   | 801122      | 3 04 19 342   | Hrebeň          | 2        | 4.3                   |                               |        |              |                 |   |                       |
| 13b                                  | 801153      | 3 04 39 284   | Vodiaca skrutka | 1        | 18.1                  |                               |        |              |                 |   |                       |
| 14b                                  | 801149      | 3 04 11 2483  | Ťažný hriadeľ   | 1        | 10.8                  |                               |        |              |                 |   |                       |
| 15b                                  | 801151      | 3 04 11 3360  | Vypínacia tyč   | 1        | 13.6                  |                               |        |              |                 |   |                       |

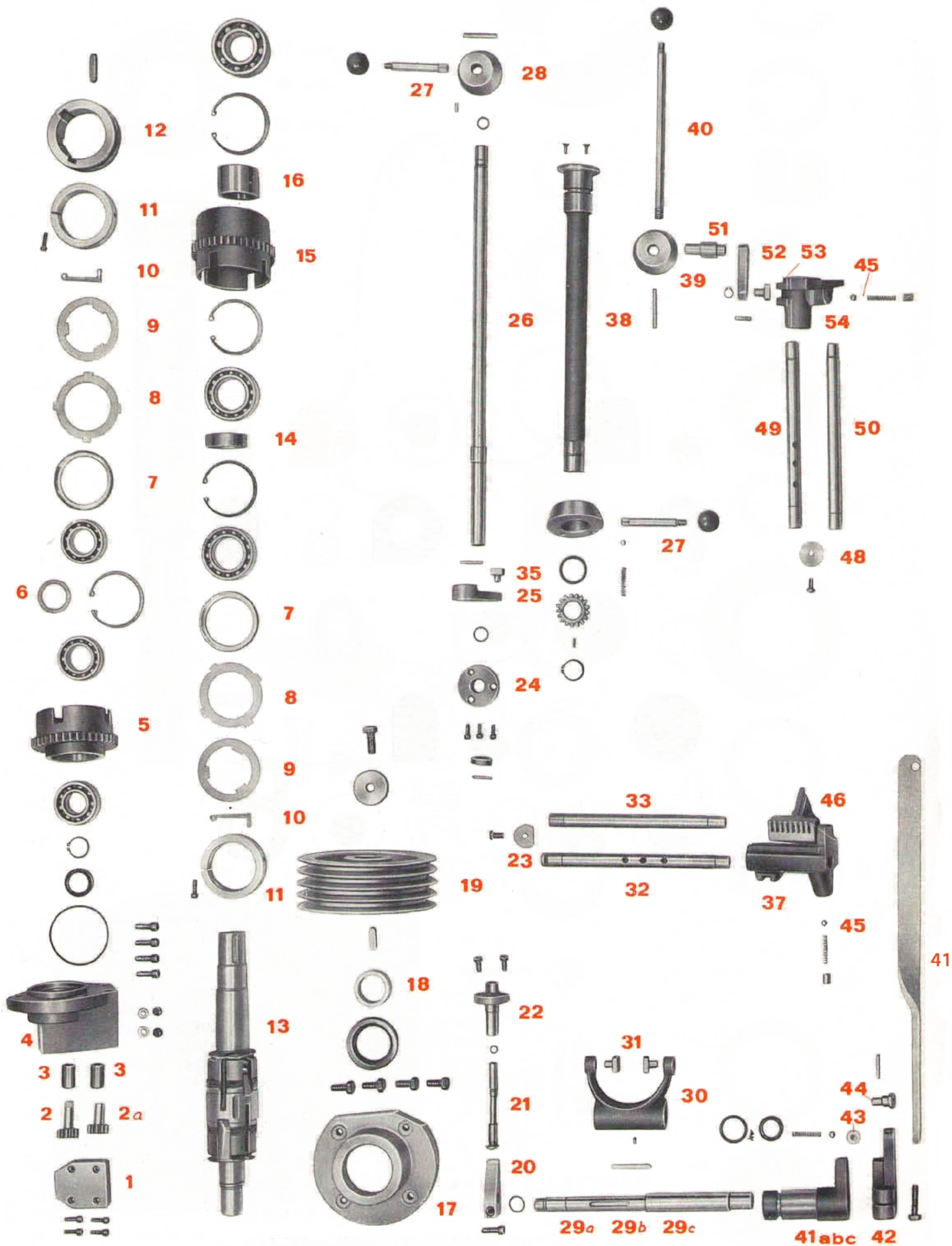




| 1              | 2           | 3               | 4                                | 5        | 6                     | 1    | 2      | 3                 | 4                  | 5 | 6                        |
|----------------|-------------|-----------------|----------------------------------|----------|-----------------------|------|--------|-------------------|--------------------|---|--------------------------|
| Poradové číslo | Bežné číslo | Číslo výkresu   | Názov                            | Počet ks | Váha / ks (kg)        |      |        |                   |                    |   |                          |
|                |             |                 |                                  |          |                       | 17   | 802007 | 4 04 16<br>1391   | Spojovací krúžok   | 1 | 1.2                      |
|                |             |                 |                                  |          |                       | 18   | 802006 | 4 04 09 718       | Veko               | 1 | 1.5                      |
|                |             |                 |                                  |          |                       | 19   | 802018 | 4 04 34<br>1892   | Úpinka             | 1 | 1.7                      |
| 1              | 802000      | 1 04 70 792     | Vreteník komplet                 | 1        | 135<br>SN40A          |      |        |                   |                    |   |                          |
|                | 802000      | 1 04 70 792     | Vreteník komplet                 | 1        | 135<br>SN45A          | 20   | 802032 | 5 04 56<br>1041   | Trubka             | 1 | 0.09                     |
|                | 802000      | 1 04 70 792     | Vreteník komplet                 | 1        | 135<br>SN50A          | 21   | 802033 | 5 04 56<br>1040   | Trubka             | 1 | 0.07                     |
|                |             |                 |                                  |          |                       | 22   | 802091 | S4 VK-<br>2543    | Regulačná skrútka  | 1 | 0.12                     |
| 1a             | 802103      | S1 VK-<br>2458  | Vreteno                          | 1        | 14.8<br>SN40A<br>-50A | 23   | 802041 | 3 04 60<br>1580/1 | Krycí plech        | 1 | 0.18                     |
| 2              | 802120      | ČSN 20<br>1012  | Bajonetová podložka 180          | 1        | 0.3                   | 24aa | 802156 | 1 04 03 656       | Vreteník, teleso   | 1 | 69<br>SN40A              |
| 3              | 802119      | ČSN 20<br>1007  | Unášací kameň 19                 | 1        | 0.07                  | 24ba | 802181 | 1 04 03 663       | Vreteník, teleso   | 1 | 76<br>SN45A              |
| 4              | 802121      | ČSN 20<br>1013  | Bajonetová vložka M8x15          | 2        | 0.04                  | 24ca | 802214 | 1 04 03 660       | Vreteník, teleso   | 1 | 83<br>SN50A              |
| 5              | 802003      | S3 VK-<br>2460  | Predné veko                      | 1        | 5.3                   | 0    | 802000 | 1 50 70 352       | Vreteník - komplet | 1 | 132<br>SN40B             |
| 6              | 802109      | S4 VK-<br>2461  | Dvojdielny krúžok                | 1        | 0.32                  |      |        |                   |                    |   |                          |
| 7              | 802078      | ČSN 02<br>4700  | Valivé ložisko<br>NN 3016K/ZP 52 | 1        | 1.48                  |      |        |                   | Vreteník - komplet | 1 | 135<br>SN45B             |
| 8              | 802013      | 4 04 26<br>2441 | Rozperné puzdro                  | 1        | 1.85                  |      |        |                   | Vreteník - komplet | 1 | 140<br>SN50B             |
| 9              | 802027      | S4 VK-<br>2396  | Matica                           | 2        | 0.62                  |      |        |                   |                    |   |                          |
| 10             | 802026      | 4 04 39 326     | Matica                           | 2        | 0.54                  | 1b   | 802106 | 1 50 10<br>0071   | Vreteno            | 1 | 12.30<br>SN40B<br>- 50 B |
| 11             | 802015      | 4 50 26 553     | Rozperné puzdro                  | 1        | 2.8                   | 24ab | 802157 | 1 50 03<br>0285   | Vreteník, teleso   | 1 | 70<br>SN40B              |
| 12             | 802075      |                 | Ložisko 7217/P5-T                | 1        | 1.87                  | 24bb | 802185 | 1 50 03<br>0286   | Vreteník, teleso   | 1 | 77<br>SN45B              |
| 13             | 802074      |                 | Ložisko 7215/P5-T                | 1        | 1.87                  | 24cb | 802218 | 1 50 03<br>0287   | Vreteník, teleso   | 1 | 84<br>SN50B              |
| 14             | 802014      | S4 VK-<br>2480  | Dvojdielny krúžok                | 1        | 0.2                   |      |        |                   |                    |   |                          |
| 15             | 802004      | 3 04 09<br>0949 | Puzdro                           | 1        | 3.43                  | 25   | 802016 | 4 50 26<br>0708   | Krúžok spojovací   |   | 0.1<br>SN40B<br>- 50 B   |
| 16             | 802011      | 4 04 25<br>2439 | Dištančný krúžok                 | 1        | 0.65                  |      |        |                   |                    |   |                          |

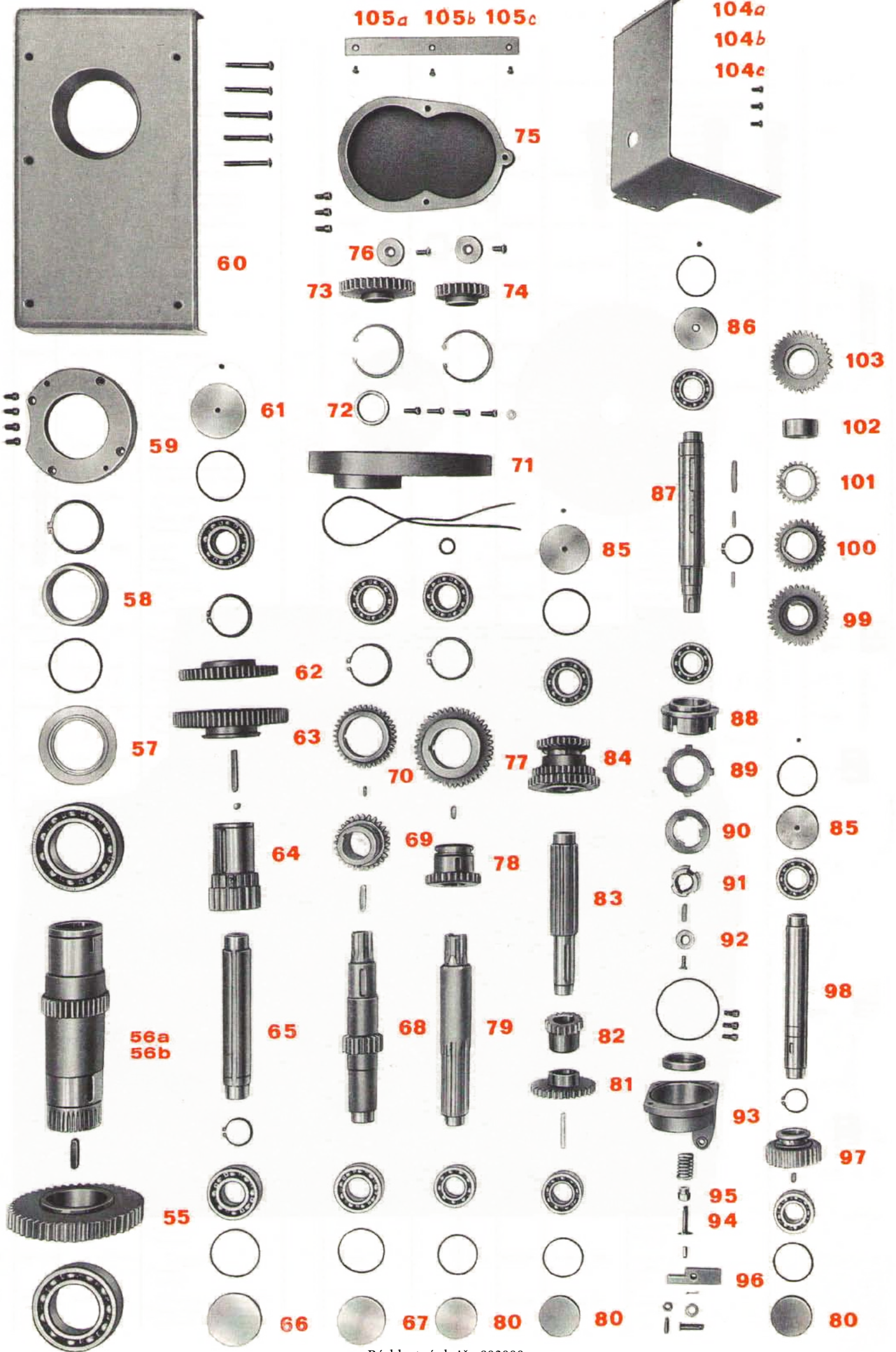






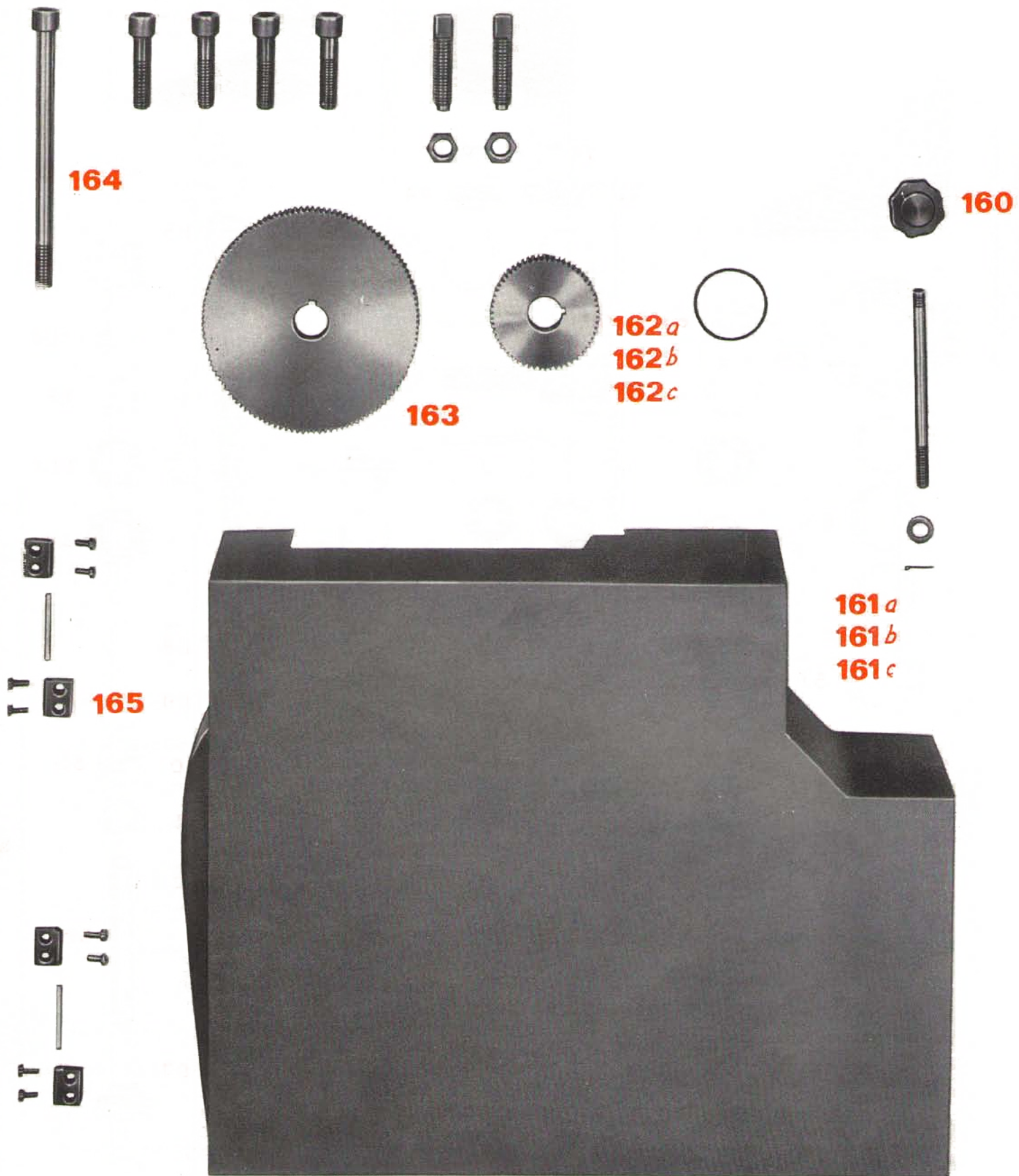
Rýchlostná skriňa 803000

| 1              | 2           | 3             | 4                           | 5        | 6              | 1   | 2      | 3            | 4            | 5 | 6             |
|----------------|-------------|---------------|-----------------------------|----------|----------------|-----|--------|--------------|--------------|---|---------------|
| Poradové číslo | Bežné číslo | Číslo výkresu | Názov                       | Počet ks | Váha / ks (kg) |     |        |              |              |   |               |
|                |             |               |                             |          |                | 21  | 803048 | 4 04 11 2477 | Tyč          | 1 | 0.1           |
|                |             |               |                             |          |                | 22  | 803121 | 4 04 24 906  | Puzdro       | 1 | 0.17          |
|                |             |               |                             |          |                | 23  | 803201 | 5 04 43 802  | Podložka     | 1 | 0.035         |
| 0              | 803000      | 1 04 70 1007  | Rýchlostná skriňa kompletná | 1        | 170<br>SN40A   | 24  | 803107 | 4 04 21 622  | Veko         | 1 | 0.2           |
|                |             | 1 04 70 1007  | Rýchlostná skriňa kompletná | 1        | 172<br>SN45A   | 25  | 803012 | 4 04 05 859  | Páka         | 1 | 0.17          |
|                |             | 1 04 70 1007  | Rýchlostná skriňa kompletná | 1        | 174<br>SN50A   | 26  | 803049 | 3 04 11 2480 | Tyč          | 1 | 1.25          |
| 1              | 803022      | 4 04 06 1116  | Veko                        | 1        | 0.49           | 27  | 803148 | 5 04 30 1561 | Páka         | 4 | 0.08          |
| 2              | 803057      | 4 04 16 1040  | Ozubené kolo                | 1        | 0.10           | 28  | 803155 | 5 04 30 1715 | Náboj        | 1 | 0.36          |
| 2a             | 803056      | 4 04 16 1039  | Ozubené kolo                | 1        | 0.10           | 29a | 803495 | 3 04 11 2459 | Tyč          | 1 | 0.83<br>SN40A |
| 3              | 803114      | 5 04 23 1086  | Puzdro                      | 2        | 0.028          | 29b | 803520 | 3 04 11 2460 | Tyč          | 1 | 0.90<br>SN45A |
| 4              | 803003      | 2 04 03 899   | Teleso čerpadla             | 1        | 2.8            | 29c | 803545 | 3 04 11 2461 | Tyč          | 1 | 1.05<br>SN50A |
| 5              | 803074      | 3 04 16 1712  | Unášač                      | 1        | 1.16           | 30  | 803010 | 3 04 05 856  | Strmeň       | 1 | 0.87          |
| 6              | 803139      | 5 04 26 2498  | Dištančný krúžok            | 1+1      | 0.012          | 31  | 803180 | 5 04 25 649  | Kameň        | 2 | 0.03          |
| 7              | 803140      | 5 04 26 2502  | Operný krúžok               | 2        | 0.03           | 32  | 803040 | 4 04 11 2468 | Tyč          | 1 | 1.3           |
| 8              | 803217      | 4 04 52 516   | Lamela vonkajša             | 14       | 0.03           | 33  | 803042 | 4 04 11 2470 | Tyč          | 1 | 0.99          |
| 9              | 803221      | 4 04 52 517   | Lamela vnútorná             | 16       | 0.03           | 34  | 803071 | 4 04 16 1441 | Ozubené kolo | 1 | 0.09          |
| 10             | 803214      | 5 04 52 761   | Páčka                       | 24       | 0.015          | 35  | 803181 | 5 04 35 650  | Kameň        | 1 | 0.03          |
| 11             | 803185      | 4 04 39 282   | Matica                      | 2        | 0.36           | 36  | 803136 | 4 04 26 2495 | Náboj        | 1 | 0.53          |
| 12             | 803104      | 4 04 21 619   | Objímka                     | 1        | 0.51           | 37  | 803011 | 3 04 05 858  | Presúvač     | 1 | 1.25          |
| 13             | 803036      | 2 04 11 2463  | Hriadeľ                     | 1        | 6.25           | 38  | 803026 | 3 04 08 029  | Dutý hriadeľ | 1 | 1.81          |
| 14             | 803143      | 5 04 26 2997  | Krúžok                      | 1        | 0.11           | 39  | 803167 | 4 04 30 2346 | Náboj        | 1 | 0.42          |
| 15             | 803079      | 3 04 16 1723  | Unášač                      | 1        | 0.42           | 40  | 803146 | 5 04 30 1602 | Páka         | 1 | 0.204         |
| 16             | 803132      | 5 04 26 2490  | Krúžok                      | 1        | 0.25           | 41a | 803489 | 4 04 05 847  | Puzdro       | 1 | 0.767<br>SN40 |
| 17             | 803018      | 3 04 06 938   | Veko                        | 1        | 3.18           | 41b | 803514 | 4 04 05 848  | Puzdro       | 1 | 0.85<br>SN 45 |
| 18             | 803131      | 5 04 26 2489  | Krúžok                      | 1        | 0.083          | 41c | 803539 | 4 04 05 849  | Puzdro       | 1 | 1.10<br>SN 50 |
| 19             | 803032      | 3 04 09 964   | Remenica                    | 1        | 4.95           |     |        |              |              |   |               |
| 20             | 803174      | 4 04 34 2515  | Páka                        | 1        | 0.18           |     |        |              |              |   |               |

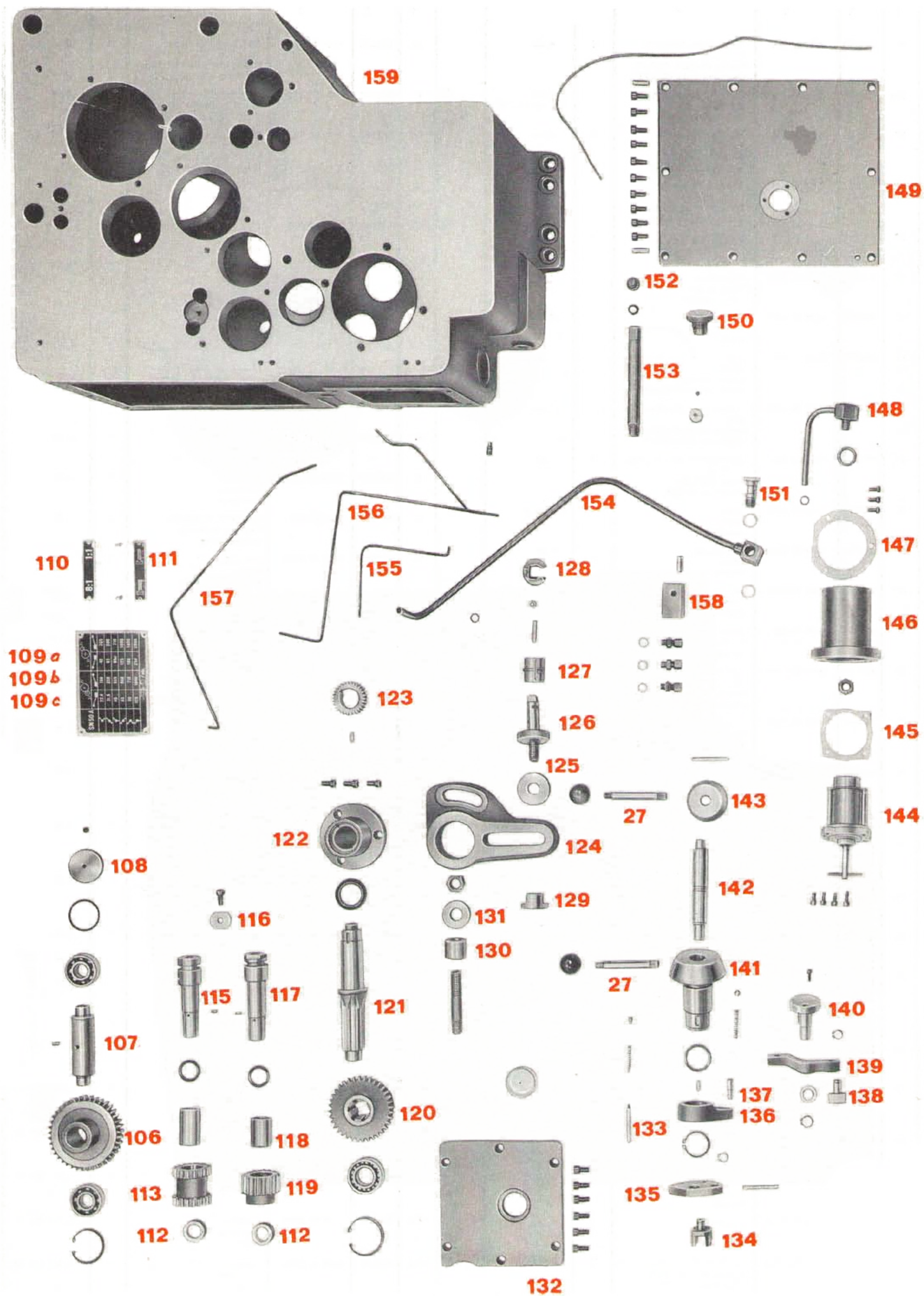


Rychlostná skříň 803000

|     |        |                 |                      |   |                        |    |        |              |                      |   |       |
|-----|--------|-----------------|----------------------|---|------------------------|----|--------|--------------|----------------------|---|-------|
| 1   | 2      | 3               | 4                    | 5 | 6                      | 1  | 2      | 3            | 4                    | 5 | 6     |
| 42  | 803009 | 3 04 05 855     | Páka                 | 1 | 0.752                  | 68 | 803096 | 3 04 19 407  | Hriadeľ              | 1 | 3.5   |
| 43  | 803052 | 5 04 11 2027    | Čap                  | 1 | 0.02                   | 69 | 803059 | 4 04 16 1419 | Ozubené kolo 28/2.75 | 1 | 0.70  |
| 44  | 803051 | 5 04 11 2026    | Čap                  | 1 | 0.06                   | 70 | 803060 | 4 04 16 1420 | Ozubené kolo 36/2.5  | 1 | 0.40  |
| 45  | 803274 | ČSN 02<br>3680  | Guľka Ø10            | 5 | 0.02                   | 71 | 803023 | 2 50 03 234  | Puzdro               | 1 | 3.7   |
| 46  | 803013 | 3 04 05 991     | Presúvač             | 1 | 0.60                   | 72 | 803128 | 5 04 26 2485 | Distančný krúžok     | 1 | 0.035 |
| 47  | 803225 | 3 04 54 524     | Tiahlo               | 1 | 1.2                    | 73 | 803087 | 4 04 17 861  | Ozubené kolo 35/3    | 1 | 1.5   |
| 48  | 803202 | 5 04 43 803     | Podložka             | 1 | 0.035                  | 74 | 803088 | 4 04 17 862  | Ozubené kolo 25/3    | 1 | 0.56  |
| 49  | 803043 | 4 04 11 2471    | Tyč                  | 1 | 0.58                   | 75 | 803024 | 2 05 03 235  | Veko                 | 1 | 1.92  |
| 50  | 803041 | 4 04 11<br>2469 | Tyč                  | 1 | 0.57                   | 76 | 803125 | 5 04 26 3020 | Podložka             | 2 | 0.05  |
| 51  | 803054 | 5 04 11 3322    | Čap                  | 1 | 0.12                   | 77 | 803078 | 4 04 16 1716 | Ozubené kolo 42/2.75 | 1 | 1.5   |
| 52  | 803173 | 4 04 34 1935    | Páka                 | 1 | 0.152                  | 78 | 803077 | 4 04 16 1715 | Ozubené kolo 25/3    | 1 | 1     |
| 53  | 803179 | 5 04 34 1794    | Kameň                | 1 | 0.03                   | 79 | 803095 | 3 04 19 406  | Hriadeľ              | 1 | 2.85  |
| 54  | 803008 | 3 04 05 853     | Presúvač             | 1 | 0.84                   | 80 | 803150 | 3 04 30 1709 | Viečko               | 3 | 0.20  |
| 55  | 803090 | 3 04 17 864     | Ozubené kolo 48/3.75 | 1 | 4.58                   | 81 | 803073 | 4 04 16 1710 | Ozubené kolo 30/3    | 1 | 0.64  |
| 56a | 803072 | 2 04 16 1442    | Ozubené puzdro       | 1 | 5.24<br>SN40A<br>SN50A | 82 | 803076 | 4 04 16 1714 | Ozubené kolo 18/2.75 | 1 | 0.31  |
| 57  | 803126 | 4 04 26 2483    | Odstrekový krúžok    | 1 | 0.14                   | 83 | 803098 | 3 04 19 394  | Drážkový hriadeľ     | 1 | 0.81  |
| 58  | 803127 | 4 04 26 2484    | Odstrekový krúžok    | 1 | 0.35                   | 84 | 803256 | 3 04 60 1873 | Trojkoľo - zostava   | 1 | 2.15  |
| 59  | 803017 | 3 04 06 937     | Veko                 | 1 | 1.3                    | 85 | 803149 | 4 04 30 1707 | Viečko               | 1 | 0.26  |
| 60  | 803616 | S 2 VK-<br>2465 | Veko zostava         | 1 | 1,86                   | 86 | 803158 | 4 04 30 1986 | Viečko               | 2 | 0.141 |
| 61  | 803152 | 4 04 30 1712    | Viečko               | 1 | 0.29                   | 87 | 803099 | 3 04 19 395  | Hriadeľ              | 1 | 2.24  |
| 62  | 803058 | 3 04 16 1418    | Ozubené kolo 49/2.75 | 1 | 1.55                   | 88 | 803108 | 3 04 21 1766 | Unášač               | 1 | 0.94  |
| 63  | 803064 | 3 04 16 1434    | Ozubené kolo 63/2.5  | 1 | 3.16                   | 89 | 803220 | 4 04 52 518  | Lamela vonkajšia     | 6 | 0.03  |
| 64  | 803089 | 3 04 17 863     | Pastorok 18/3.75     | 1 | 1.63                   | 90 | 803222 | 4 04 52 519  | Lamela vnútorná      | 5 | 0.03  |
| 65  | 803035 | 3 04 11 3490    | Hriadeľ              | 1 | 2.4                    | 91 | 803129 | 4 04 26 2486 | Unášač               | 1 | 0.19  |
| 66  | 803164 | 3 04 30 2340    | Viečko               | 1 | 0.25                   | 92 | 803207 | 5 04 43 1119 | Podložka             | 1 | 0.27  |
| 67  | 803096 | 3 04 19 407     | Viečko               | 1 | 0.17                   | 93 | 803005 | 2 04 03 853  | Teleso brzdy         | 1 | 1.55  |
|     |        |                 |                      |   |                        | 94 | 803190 | 5 04 41 1448 | Čap                  | 1 | 0.04  |



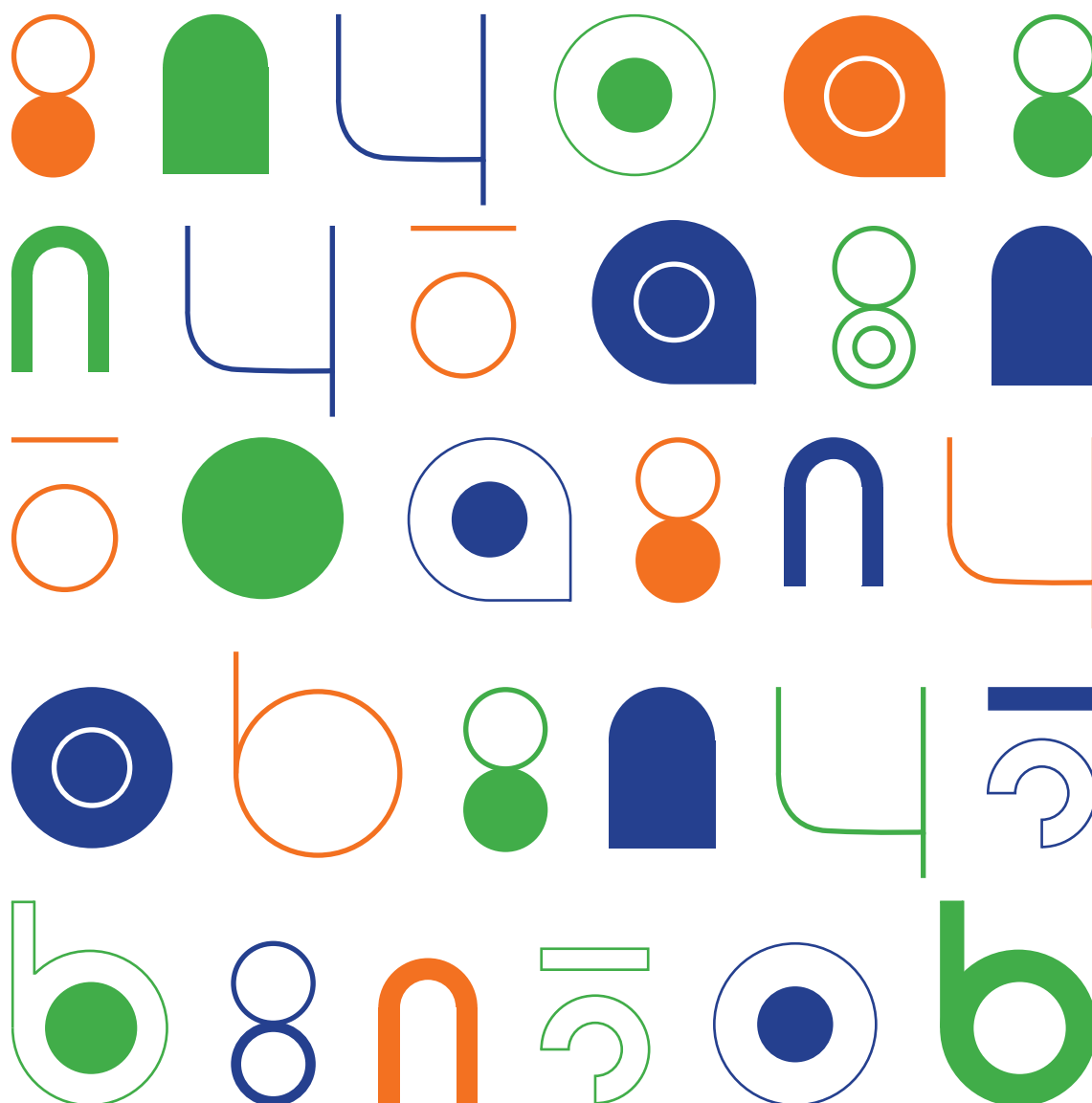
|      |        |              |                      |   |               |     |        |                 |                     |   |      |
|------|--------|--------------|----------------------|---|---------------|-----|--------|-----------------|---------------------|---|------|
| 1    | 2      | 3            | 4                    | 5 | 6             | 1   | 2      | 3               | 4                   | 5 | 6    |
| 95   | 803191 | 5 04 51 1149 | Skruttra             | 1 | 0.03          | 113 | 803069 | 4 04 16 1439    | Ozubené kolo 41/2.5 | 1 | 0.39 |
| 96   | 803172 | 4 04 34 1934 | Páka                 | 1 | 0.13          | 114 | 803120 | 5 04 24 905     | Puzdro              | 1 | 0.10 |
| 97   | 803080 | 4 04 16 1727 | Medzikolo 28/2.75    | 1 | 0.90          | 115 | 803037 | 4 04 11 2465    | Hriadeľ             | 1 | 0.53 |
| 98   | 803050 | 4 04 11 2967 | Hriadeľ              | 1 | 1.9           | 116 | 803200 | 5 04 43 801     | Podložka            | 1 | 0.03 |
| 99   | 803075 | 4 04 16 1713 | Ozubené kolo 32/2.75 | 1 | 0.62          | 117 | 803038 | 4 04 11 2466    | Hriadeľ             | 1 | 0.55 |
| 100  | 803062 | 4 04 16 1423 | Ozubené kolo 27/2.75 | 1 | 0.30          | 118 | 803119 | 5 04 24 904     | Puzdro              | 1 | 0.08 |
| 101  | 803063 | 4 04 16 1424 | Ozubené kolo 22/2.75 | 1 | 0.30          | 119 | 803068 | 4 04 16 1438    | Ozubené kolo 20/2.5 | 1 | 0.34 |
| 102  | 803130 | 5 04 26 2487 | Dištančný krúžok     | 1 | 0.18          | 120 | 803067 | 4 04 16 1437    | Ozubené kolo 36/2.5 | 1 | 0.95 |
| 103  | 803061 | 4 04 16 1422 | Ozubené kolo 36/2.75 | 1 | 0.55          | 121 | 803097 | 3 04 19 312     | Drážkový hriadeľ    | 1 | 1.5  |
| 104a | 803500 | 2 04 53 3255 | Kryt                 | 1 | 0.702<br>SN40 | 122 | 803118 | 3 04 24 902     | Puzdro              | 1 | 1.1  |
| 104b | 803525 | 2 04 53 3285 | Kryt                 | 1 | 0.85<br>SN45  | 123 | 803092 | 4 04 16 1061    | Výmenné kolo 30/1.5 | 1 | 0.12 |
| 104c | 803550 | 2 04 53 3284 | Kryt                 | 1 | 0.98<br>SN50  | 124 | 803019 | 3 04 06 939     | Lýra                | 1 | 2.9  |
| 105a | 803499 | 4 04 53 3291 | Kryt                 | 1 | 0.11<br>SN40  | 125 | 803015 | S 4 VK-<br>2162 | Podložka            | 1 | 0.10 |
| 105b | 803524 | 4 04 53 3292 | Kryt                 | 1 | 0.214<br>SN45 | 126 | 803039 | 4 04 11 2032    | Čap                 | 1 | 0.35 |
| 105c | 803549 | 4 04 53 3293 | Kryt                 | 1 | 0.315<br>SN50 | 127 | 803117 | 4 04 24 764     | Puzdro              | 1 | 0.09 |
| 106  | 803082 | 4 04 16 2018 | Ozubené kolo 41/2.5  | 1 | 1.18          | 128 | 803252 | 4 04 60 967     | Podložka            | 2 | 0.08 |
| 107  | 803044 | 4 04 11 3508 | Hriadeľ              | 1 | 0.67          | 129 | 803195 | 5 04 42 279     | Kameň               | 1 | 0.14 |
| 108  | 803154 | 5 04 30 1714 | Viečko               | 1 | 1.9           | 130 | 803135 | 5 04 26 2493    | Dištančný krúžok    | 1 | 0.1  |
| 109a | 803505 | 4 04 57 744  | Štítok               | 1 | 0.15<br>SN40  | 131 | 803203 | 5 04 43 807     | Podložka            | 1 | 0.05 |
| 109b | 803530 | 4 04 57 745  | Štítok               | 1 | 0.15<br>SN45  | 132 | 803020 | 3 04 06 940     | Veko                | 1 | 2.3  |
| 109c | 803555 | 4 04 57 746  | Štítok               | 1 | 0.15<br>SN50  | 133 | 803034 | 5 04 11 3506    | Aretačný čap        | 1 | 0.02 |
| 110  | 803242 | 4 04 57 619  | Štítok               | 1 | 0.04          | 134 | 803183 | 4 04 35 731     | Kameň               | 1 | 0.11 |
| 111  | 803241 | 4 04 57 441  | Štítok               | 1 | 0.04          | 135 | 803109 | 4 04 21 855     | Segment             | 1 | 0.28 |
| 112  | 803115 | 5 04 23 1075 | Krúžok               | 2 | 0.035         | 136 | 803006 | 4 04 05 850     | Páka                | 1 | 0.30 |
|      |        |              |                      |   |               | 137 | 803046 | 4 04 11 2474    | Čap                 | 1 | 0.02 |
|      |        |              |                      |   |               | 138 | 803106 | 4 04 21 621     | Presúvací kameň     | 1 | 0.05 |
|      |        |              |                      |   |               | 139 | 803014 | 4 04 05 1218    | Páka                | 1 | 0.29 |

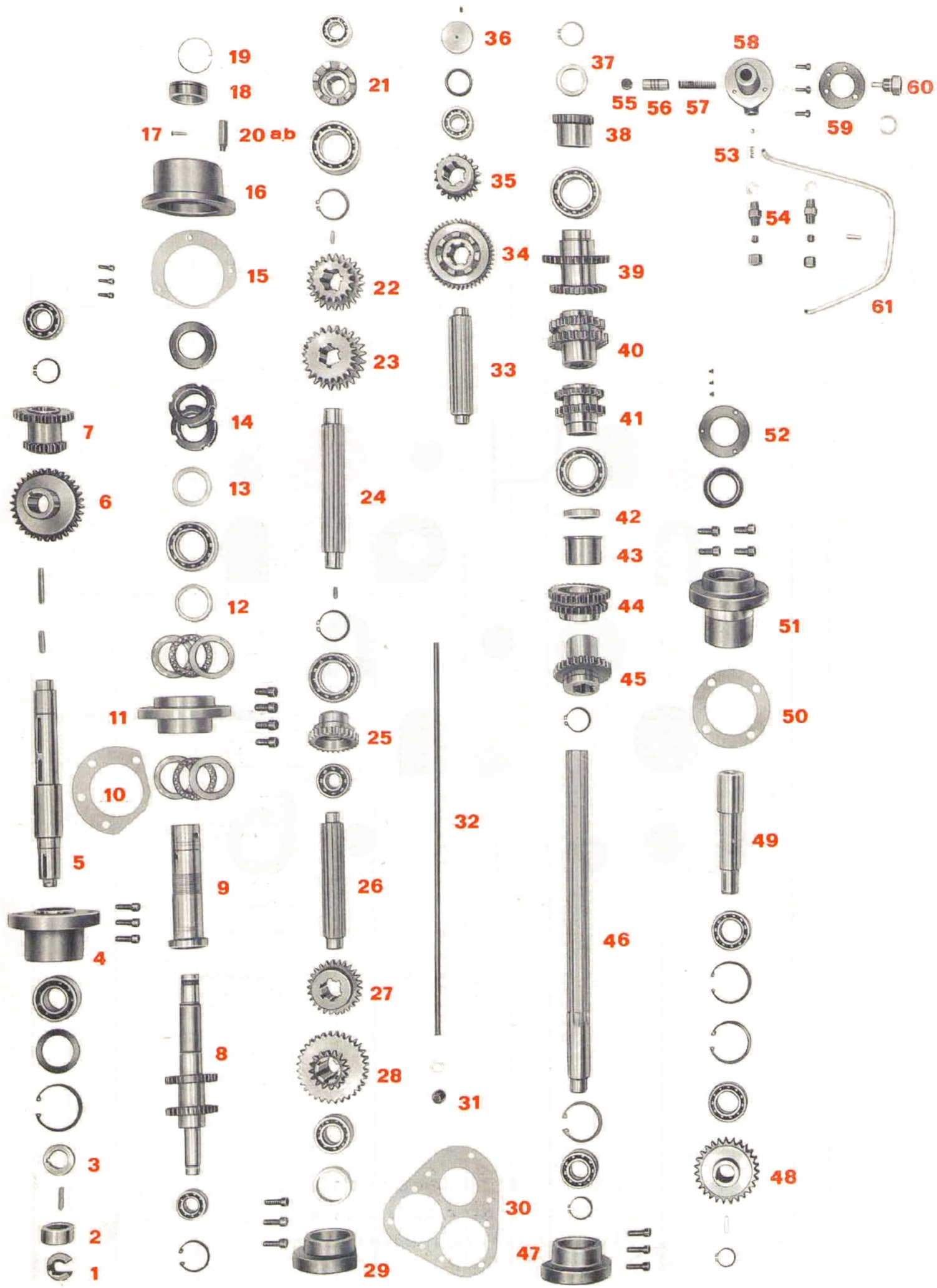


Rychlostná skříň 803000



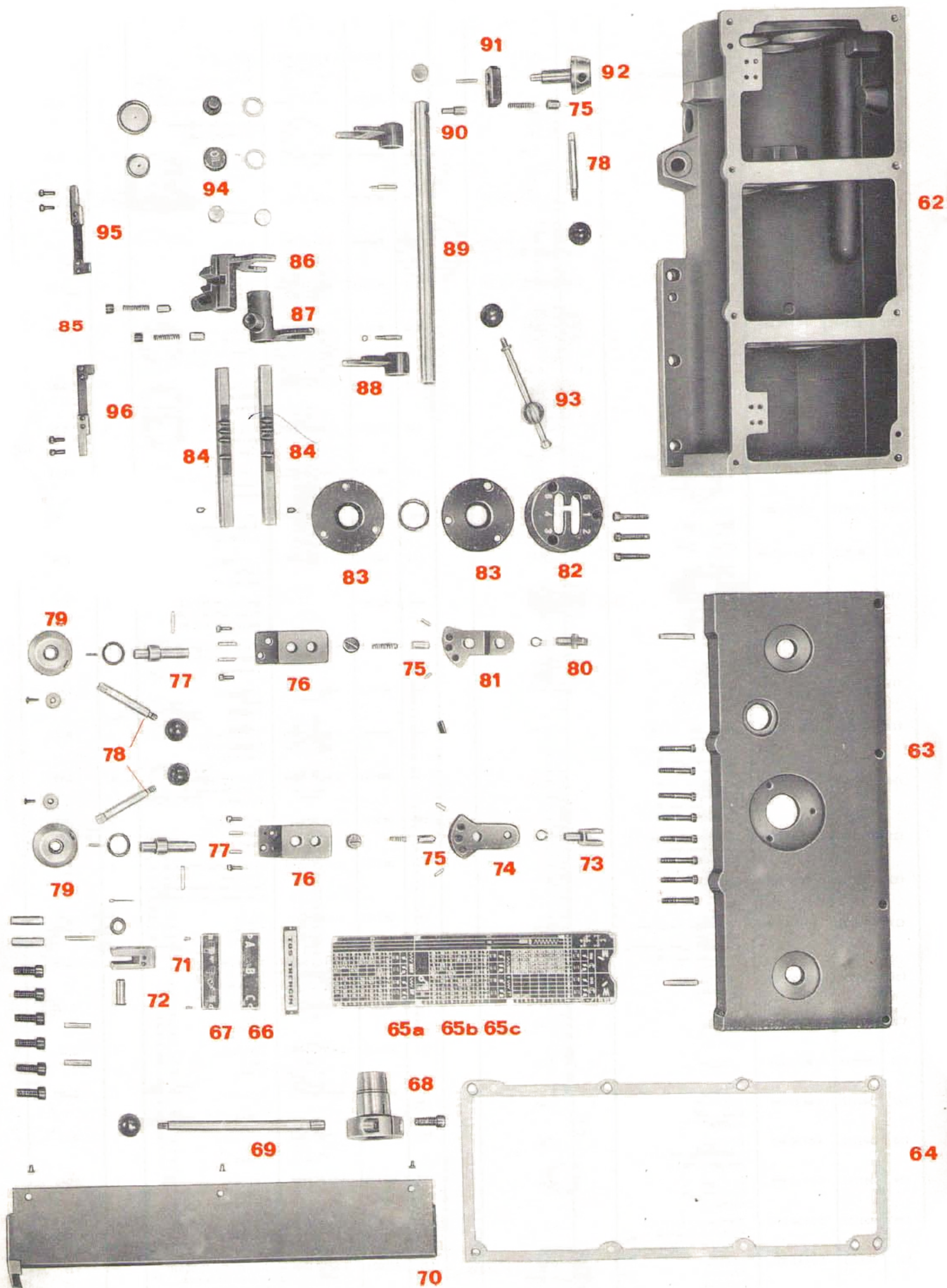
| 1    | 2      | 3                | 4                    | 5 | 6            | 1    | 2      | 3               | 4                         | 5 | 6                      |
|------|--------|------------------|----------------------|---|--------------|------|--------|-----------------|---------------------------|---|------------------------|
| 140  | 803047 | 4 04 11 2475     | Čap                  | 1 | 0.26         | 162b | 803637 | 4 04 16 1059    | Výmenné kolo 60/1.5       | 1 | 0.73<br>SN45           |
| 141  | 803157 | 3 04 30 1723     | Náboj                | 1 | 1.13         | 162c | 803560 | 4 04 16 1054    | Výmenné kolo 48/1.5       | 1 | 1.36<br>SN50           |
| 142  | 803045 | 4 04 11 2473     | Hriadelka            | 1 | 0.42         | 163  | 803093 | 4 04 16 1056    | Výmenné kolo 48/1.5       | 1 | 3.1                    |
| 143  | 803142 | S 4 VK -<br>2301 | Náboj                | 1 | 0.36         | 164  | 803192 | 5 04 41<br>1719 | Skrutka                   | 1 | 0.4                    |
| 144  | 803260 |                  | Filter HEFA Z 50     | 1 | 0.7          | 165  | 803177 | 5 04 34 1928    | Záves                     | 4 | 0.04                   |
| 145  | 803246 | 4 04 58 762      | Tesnenie             | 1 | 0.002        | 0    | 803000 |                 | Rýchlostná skriňa komplet | 1 | 171<br>SN40B           |
| 146  | 803031 | 3 04 09 1397     | Puzdro               | 1 | 1.67         |      |        |                 | Rýchlostná skriňa komplet | 1 | 173<br>SN45B           |
| 147  | 803247 | 4 04 58 1052     | Tesnenie             | 1 | 0.002        |      |        |                 | Rýchlostná skriňa komplet | 1 | 175<br>SN50B           |
| 148  | 803194 | 5 04 41 1898     | Prípojka             | 1 | 0.13         |      |        |                 | Rýchlostná skriňa komplet | 1 | 5.80<br>SN40B<br>- 50B |
| 149  | 803021 | 3 04 06 941      | Veko                 | 1 | 6.1          | 56b  | 803083 | 2 50 16 450     | Ozubené púzdro            | 1 |                        |
| 150  | 803101 | S 4 VK<br>-2169  | Odvzdušňovacia zátka | 1 | 0.10         |      |        |                 |                           |   |                        |
| 151  | 803193 | S 4 VK -<br>2021 | Skrutka              | 1 | 0.03         |      |        |                 |                           |   |                        |
| 152  | 803393 | 4 04 03 0658     | Zátka G 1/4"         | 1 | 0.03         |      |        |                 |                           |   |                        |
| 153  | 803228 | 5 04 56 1395     | Trubka               | 1 | 0.123        |      |        |                 |                           |   |                        |
| 154  | 803226 | S 4 VK -<br>1946 | Trubka               | 1 | 0.15         |      |        |                 |                           |   |                        |
| 155  | 803229 | 4 04 56 1397     | Trubka               | 1 | 0.025        |      |        |                 |                           |   |                        |
| 156  | 803227 | 3 04 56 1633     | Trubka               | 1 | 0.13         |      |        |                 |                           |   |                        |
| 157  | 803230 | 4 04 56 1398     | Trubka               | 1 | 0.046        |      |        |                 |                           |   |                        |
| 158  | 803175 | 4 04 34 2544     | Kocka                | 1 | 0.20         |      |        |                 |                           |   |                        |
| 159  | 803004 | 1 04 03 878      | Teleso skrine        | 1 | 125          |      |        |                 |                           |   |                        |
| 160  | 803484 | S4 VK-1675       | Hviezdica 50         | 1 | 0.15         |      |        |                 |                           |   |                        |
| 161a | 803490 | S2 VK-2235       | Kryt                 | 1 | 7<br>SN40    |      |        |                 |                           |   |                        |
| 161b | 803515 | S 2 VK-<br>2242  | Kryt                 | 1 | 7.5<br>SN45  |      |        |                 |                           |   |                        |
| 161c | 803540 | S2 VK-2246       | Kryt                 | 1 | 8<br>SN50    |      |        |                 |                           |   |                        |
| 162a | 803510 | 4 04 16 1565     | Výmenné kolo 48/1.5  | 1 | 0.45<br>SN40 |      |        |                 |                           |   |                        |





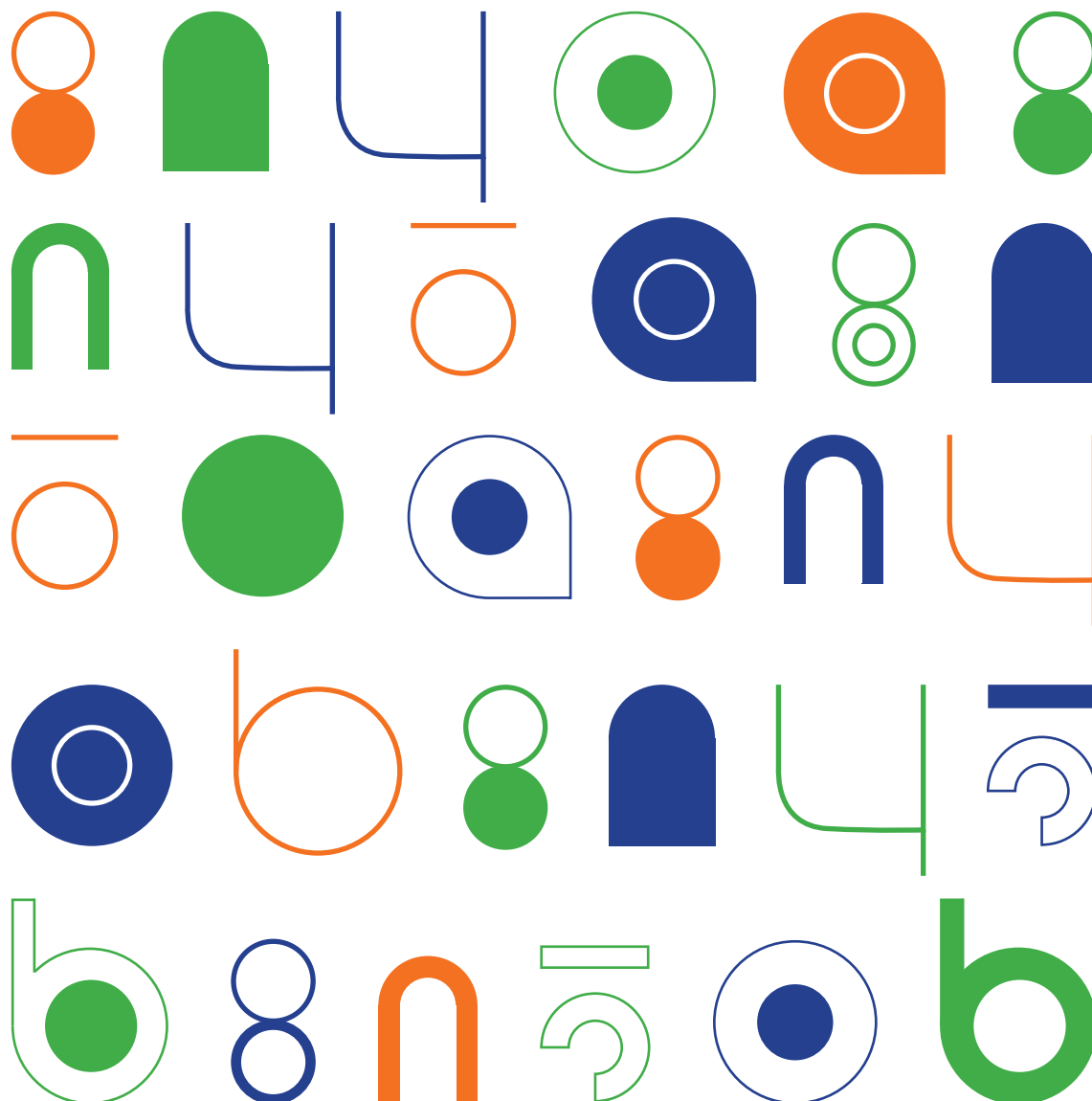
Závitová skriňa 806000

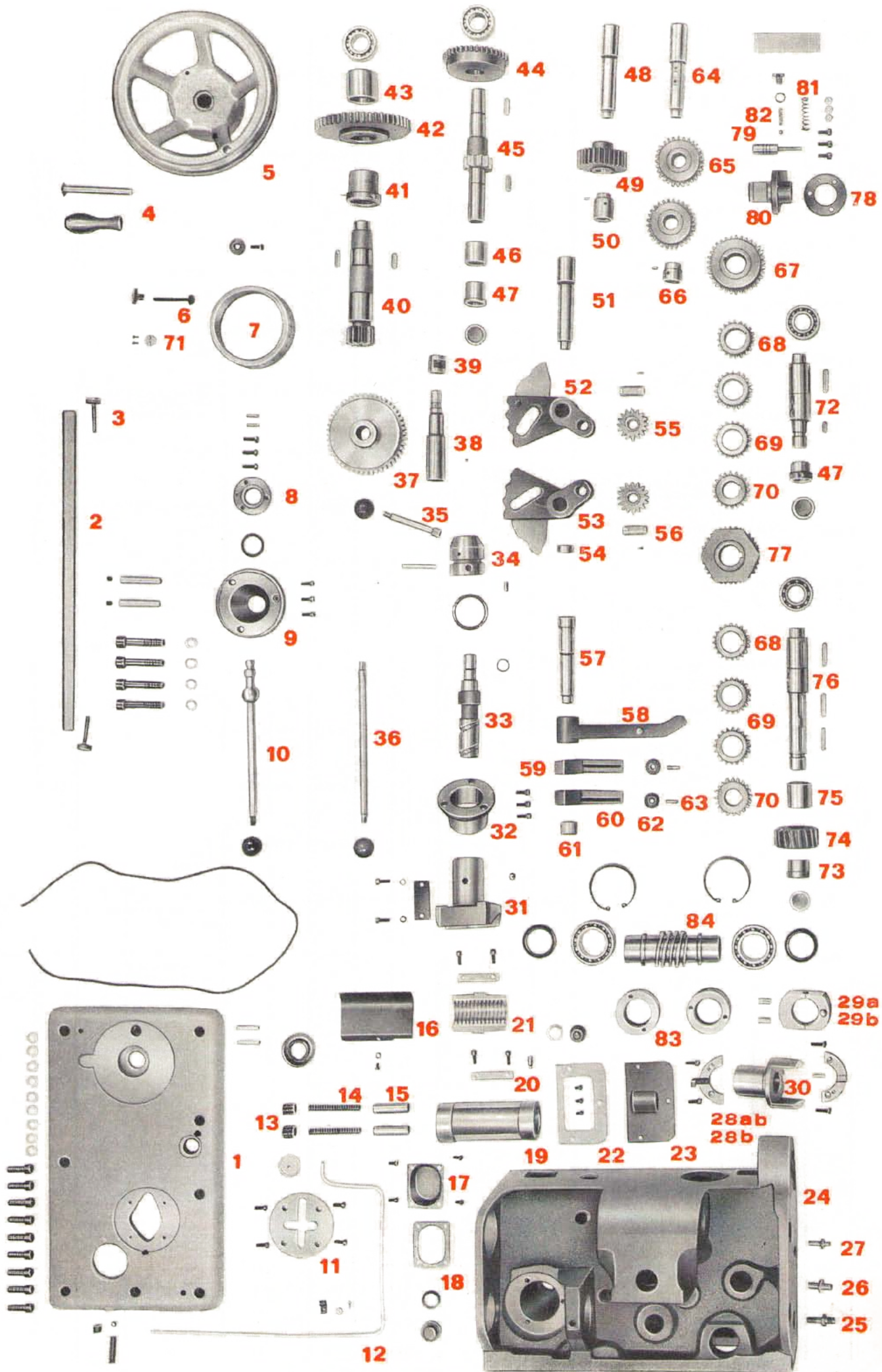
| 1              | 2           | 3             | 4                         | 5        | 6                       | 1  | 2      | 3            | 4              | 5 | 6     |
|----------------|-------------|---------------|---------------------------|----------|-------------------------|----|--------|--------------|----------------|---|-------|
| Poradové číslo | Bežné číslo | Číslo výkresu | Názov                     | Počet ks | Váha / ks (kg)          |    |        |              |                |   |       |
| 0              | 806000      | 1 04 70 735   | Závitová skriňa - zostava | 1        | 87                      | 24 | 806075 | 3 04 19 230  | Hriadeľ        | 1 | 1.0   |
| 1              | 806001      | 4 04 60 967   | Podložka zostava          | 1        | 0.08                    | 25 | 806043 | 4 04 16 1014 | Ozubené kolo   | 1 | 0.32  |
| 2              | 806101      | 4 04 26 1974  | Vložka                    | 1        | 0.12                    | 26 | 806074 | 3 04 19 229  | Hriadeľ        | 1 | 0.81  |
| 3              | 806106      | 4 04 26 3507  | Vložka                    | 1        | 0.04                    | 27 | 806040 | 4 04 16 1011 | Ozubené kolo   | 1 | 0.44  |
| 4              | 806088      | 3 04 21 864   | Príruba                   | 1        | 1.4                     | 28 | 806053 | 3 04 17 766  | Trojkoľo       | 1 | 0.96  |
| 5              | 806031      | 3 04 11 3467  | Hriadeľ                   | 1        | 1.9                     | 29 | 806083 | 3 04 21 456  | Príruba        | 1 | 0.90  |
| 6              | 806051      | 4 04 17 764   | Ozubené kolo              | 1        | 0.08                    | 30 | 806195 | 3 04 58 695  | Tesnenie       | 1 | 0.002 |
| 7              | 806052      | 3 04 17 765   | Dvojkolo                  | 1        | 0.53                    | 31 | 806283 | 4 04 30 650  | Zátka M14x1.5  | 1 | 0.02  |
| 8              | 806059      | 3 04 17 772   | Dvojkolo                  | 1        | 1.66                    | 32 | 806177 | 3 04 56 862  | Mazacia trubka | 1 | 0.10  |
| 9              | 806102      | 3 04 26 1975  | Puzdro                    | 1        | 0.80                    | 33 | 806073 |              | Hriadeľ        | 1 | 0.70  |
| 10             | 806192      | 4 04 58 692   | Tesnenie                  | 1        | 0.001                   | 34 | 806045 | 3 04 16 1016 | Ozubené kolo   | 1 | 0.70  |
| 11             | 806082      | 3 04 21 455   | Príruba                   | 1        | 1.05                    | 35 | 806060 | 4 04 17 773  | Ozubené kolo   | 1 | 0.25  |
| 12             | 806098      | 5 04 26 1970  | Krúžok                    | 1        | 0.04                    | 36 | 806110 | 5 04 30 1381 | Veko           | 1 | 0.07  |
| 13             | 806096      | 5 04 26 3957  | Krúžok                    | 1        | 0.04                    | 37 | 806104 | 5 04 26 2851 | Krúžok         | 1 | 0.03  |
| 14             | 806264      | 4 04 42 687   | Matica M 40x1.5           | 1        | 0.12                    | 38 | 806044 | 4 04 16 1015 | Ozubené kolo   | 1 | 0.33  |
| 15             | 806191      | 4 04 58 691   | Tesnenie                  | 1        | 0.001                   | 39 | 806058 | 3 04 17 771  | Dvojkolo       | 1 | 1.25  |
| 16             | 806462      | 3 04 30 2064  | Viečko                    | 1        | 1.8                     | 40 | 806056 | 3 04 17 769  | Dvojkolo       | 1 | 1.05  |
| 17             | 806151      | 5 04 46 1071  | Kolík                     | 1        | 0.001                   | 41 | 806055 | 3 04 17 768  | Dvojkolo       | 1 | 0.70  |
| 18             | 806100      | 4 04 26 1972  | Krúžok                    | 1        | 0.11                    | 42 | 806103 | 5 04 26 1976 | Krúžok         | 1 | 0.1   |
| 19             | 806157      | 5 04 51 760   | Poistka                   | 1        | 0.001                   | 43 | 806090 | 4 04 24 749  | Puzdro         | 1 | 0.16  |
| 20a            | 806460      | 5 04 11 3021  | Čap                       | 1        | 0.038<br>SN40A<br>- 50A | 44 | 806042 | 3 04 16 1013 | Dvojkolo       | 1 | 0.45  |
| 21             | 806067      | 4 04 18 787   | Spojka                    | 1        | 0.32                    | 45 | 806041 | 4 04 16 1012 | Ozubené kolo   | 1 | 0.70  |
| 22             | 806057      | 3 04 17 770   | Dvojkolo                  | 1        | 0.56                    | 46 | 806076 | 3 04 19 438  | Hriadeľ        | 1 | 2.4   |
| 23             | 806054      | 3 04 17 767   | Dvojkolo                  | 1        | 0.70                    | 47 | 806087 | 3 04 21 811  | Príruba        | 1 | 1.3   |
|                |             |               |                           |          |                         | 48 | 806061 | 4 04 17 774  | Ozubené kolo   | 1 | 0.50  |
|                |             |               |                           |          |                         | 49 | 806026 | 3 04 11 1969 | Hriadeľ        | 1 | 0.90  |
|                |             |               |                           |          |                         | 50 | 806193 | 4 04 58 693  | Tesnenie       | 1 | 0.001 |



Závitová skriňa 806000

| 1   | 2      | 3              | 4               | 5 | 6             | 1   | 2      | 3            | 4                        | 5 | 6                     |
|-----|--------|----------------|-----------------|---|---------------|-----|--------|--------------|--------------------------|---|-----------------------|
| 51  | 806080 | 3 50 21 134    | Príruba         | 1 | 1.5           | 75  | 806085 | 5 04 22 542  | Aretačný čap             | 3 | 0.01                  |
| 52  | 806107 | 4 50 26 560    | Kryt            | 1 | 0.04          | 76  | 806020 | 4 04 06 1120 | Ložisko                  | 2 | 0.50                  |
| 53  | 806158 | 4 04 51 556    | Pružina         | 1 | 0.03          | 77  | 806030 | 4 04 11 2928 | Hriadeľ                  | 2 | 0.14                  |
| 54  | 806421 | ČSN 13<br>7721 | Prípojka Js 6/G | 2 | 0.08          | 78  | 806120 | 5 04 30 1561 | Páka                     | 3 | 0.08                  |
| 55  | 806125 | S4 VK-2289     | Podložka        | 1 | 0.02          | 79  | 806119 | 5 04 30 1560 | Náboj                    | 2 | 0.40                  |
| 56  | 806036 | 5 04 15 462    | Piest           | 1 | 0.033         | 80  | 806128 | 5 04 34 1702 | Kameň                    | 1 | 0.03                  |
| 57  | 806161 | 4 04 51 236    | Pružina         | 1 | 0.012         | 81  | 806014 | 4 04 05 977  | Páka                     | 1 | 0.40                  |
| 58  | 806007 | 4 04 03 896    | Teleso čerpadla | 1 | 0.60          | 82  | 806084 | 4 04 21 765  | Veko                     | 1 | 0.95                  |
| 59  | 806198 | 5 04 58 689    | Tesnenie        | 1 | 0.06          | 83  | 806166 | 4 04 52 420  | Ložisko                  | 2 | 0.1                   |
| 60  | 806147 | 5 04 43 1143   | Zátka           | 1 | 0.07          | 84  | 806028 | 4 04 11 1971 | Tyč presúvača            | 2 | 0.46                  |
| 61  | 806179 | S3 VK-2185     | Trubka          | 1 | 0.07          | 85  | 806109 | 5 03 30 337  | Aretačný čap             | 2 | 0.03                  |
| 62  | 806006 | 1 04 03 897    | Teleso skrine   | 1 | 31            | 86  | 806012 | 3 04 05 1000 | Presúvač                 | 1 | 0.45                  |
| 63  | 806016 | 1 04 06 1134   | Veko            | 1 | 1.4           | 87  | 806011 | 3 04 05 999  | Presúvač                 | 1 | 0.47                  |
| 64  | 806196 | 3 04 58 696    | Tesnenie        | 1 | 1.01          | 88  | 806013 | 4 04 05 700  | Presúvač                 | 2 | 0.22                  |
| 65a | 806532 | 2 04 57 749    | Štítok          | 1 | 0.30<br>SN40B | 89  | 806029 | 4 04 11 1972 | Tyč                      | 1 | 0.92                  |
| 65b | 806534 | 2 04 57 750    | Štítok          | 1 | 0.30<br>SN45B | 90  | 806027 | 4 04 11 1970 | Vodiaci kameň            | 1 | 0.02                  |
| 65c | 806536 | 2 04 57 751    | Štítok          | 1 | 0.30<br>SN50B | 91  | 806127 | 5 04 34 1400 | Vidlica                  | 1 | 0.12                  |
| 66  | 806185 | 5 04 57 419    | Štítok          | 1 | 0.017         | 92  | 806124 | 4 04 30 2526 | Náboj                    | 1 | 0.40                  |
| 67  | 806184 | 5 04 57 418    | Štítok          | 1 | 0.017         | 93  | 806117 | 4 04 30 1386 | Páka                     | 1 | 0.12                  |
| 68  | 806086 | 3 04 21 794    | Náboj           | 1 | 1.1           | 94  | 806287 | 5 04 30 1379 | Zátka M20x1.5            | 1 | 0.08                  |
| 69  | 806118 | 4 04 30 1391   | Páka            | 1 | 0.25          | 95  | 806513 | 4 50 60 175  | Blokovacia západka ľavá  | 1 | 0.12                  |
| 70  | 806471 | 2 04 53 2469   | Kryt            | 1 | 1.17          | 96  | 806512 | 4 04 60 1972 | Blokovacia západka pravá | 1 | 0.12                  |
| 71  | 806465 | 4 04 35 436    | Vidlica         | 1 | 0.30          | 20b | 806460 | 5 50 11 894  | Čap                      | 1 | 0.045<br>SN40<br>- 50 |
| 72  | 806025 | 5 04 11 1967   | Čap             | 1 | 0.03          |     |        |              |                          |   |                       |
| 73  | 806134 | 4 04 35 629    | Vidlička        | 1 | 0.11          |     |        |              |                          |   |                       |
| 74  | 806015 | 4 04 05 978    | Páka            | 1 | 0.38          |     |        |              |                          |   |                       |



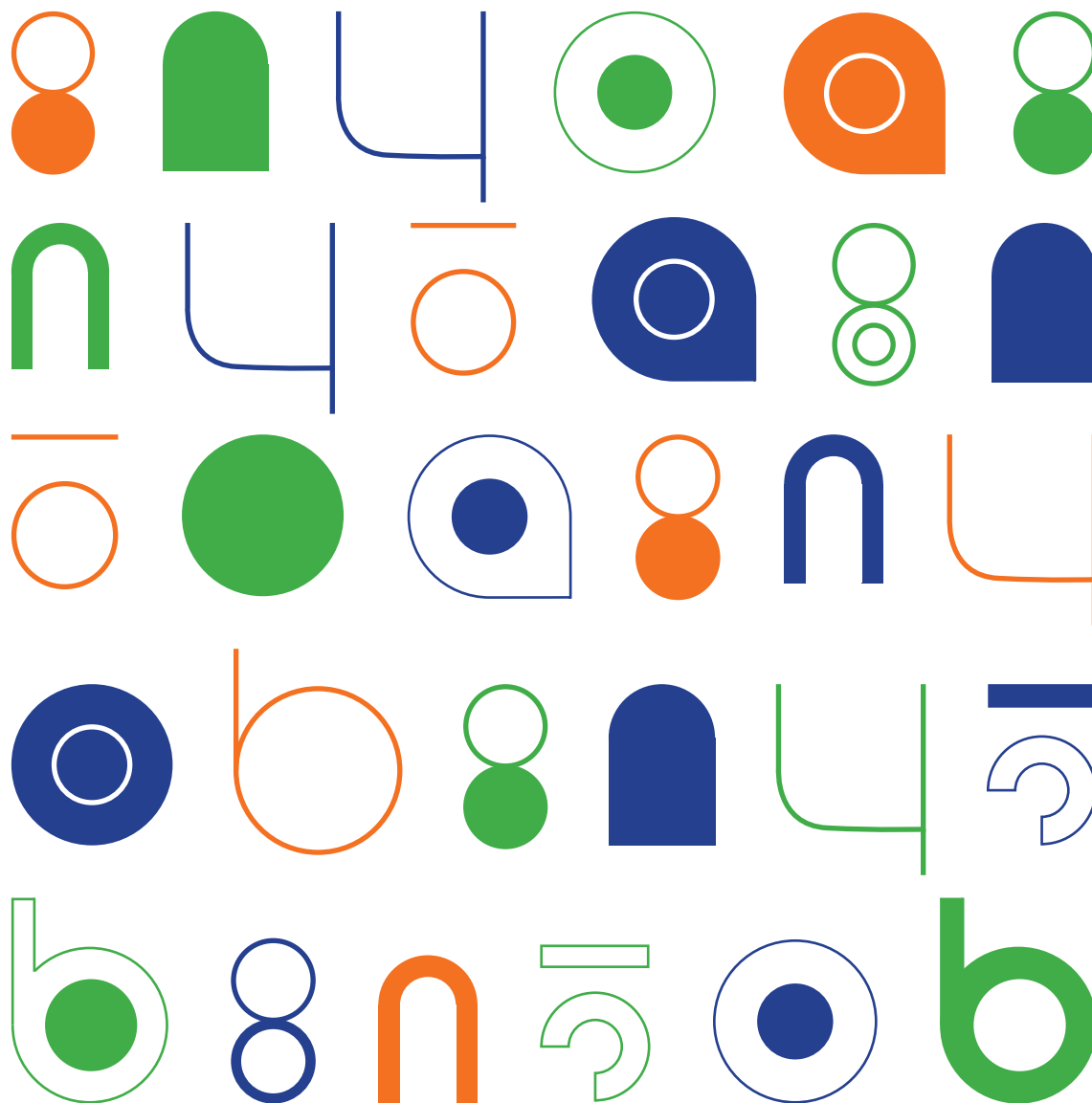


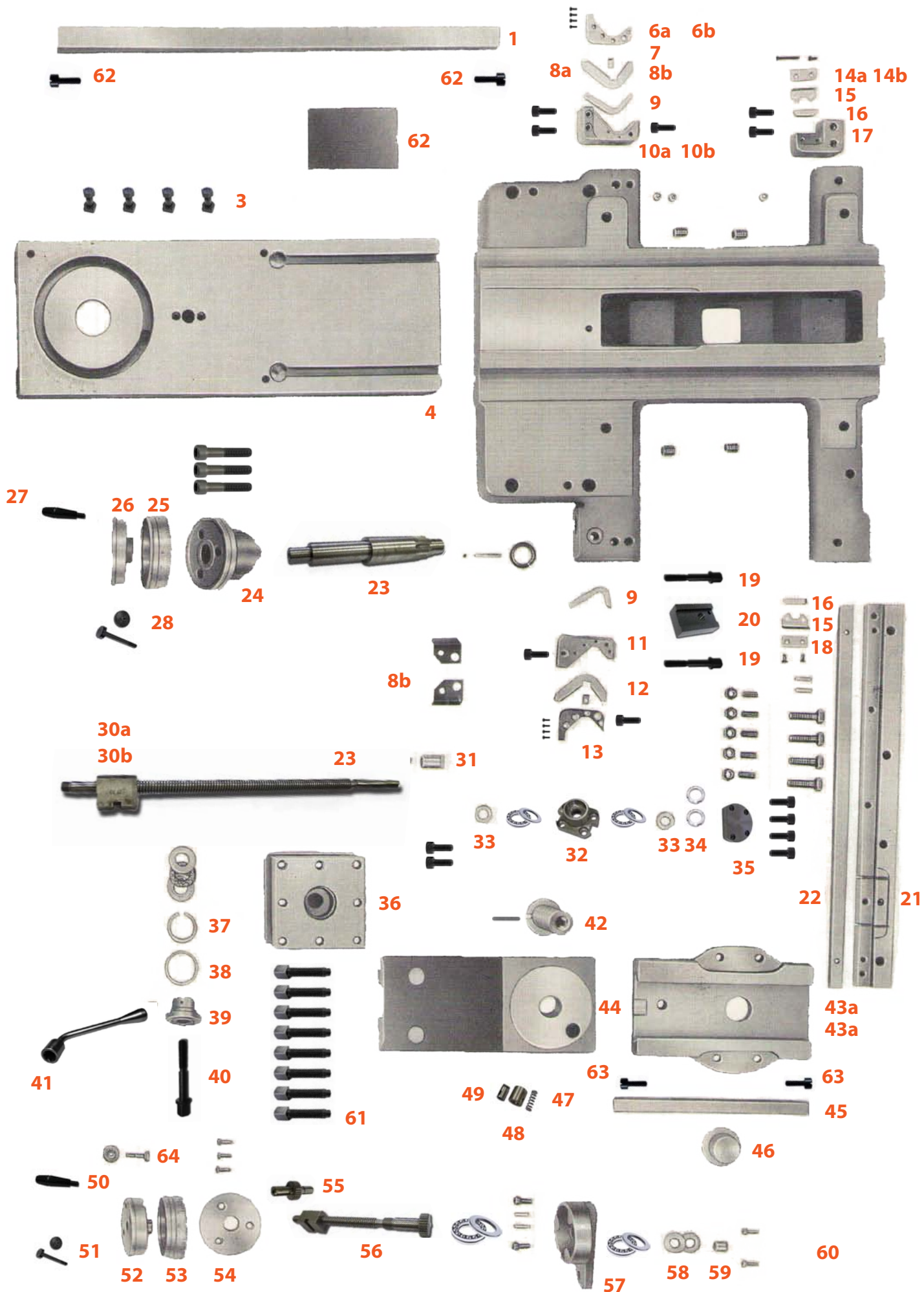
Suportová skriňa 807000



| 1              | 2           | 3                | 4                          | 5        | 6              | 1   | 2      | 3               | 4                 | 5 | 6                     |
|----------------|-------------|------------------|----------------------------|----------|----------------|-----|--------|-----------------|-------------------|---|-----------------------|
| Poradové číslo | Bežné číslo | Číslo výkresu    | Názov                      | Počet ks | Váha / ks (kg) |     |        |                 |                   |   |                       |
| 0              | 807000      | 1 04 70 757      | Suportová skriňa - zostava | 1        | 74             | 24  | 807003 | 1 04 03 662     | Teleso skrine     | 1 | 38                    |
| 1              | 807011      | 1 04 06 859      | Veko                       | 1        | 8,5            | 25  | 807103 | 5 04 41<br>1520 | Skrutka           | 1 | 0.06                  |
| 2              | 807091      | 3 04 34 1397     | Lišta                      | 1        | 0.5            | 26  | 807027 | 5 04 11 2611    | Čap               | 1 | 0.10                  |
| 3              | 807098      | 5 04 41 1146     | Skrutka                    | 2        | 0.052          | 27  | 807030 | 5 04 11 2971    | Čap               | 1 | 0.016                 |
| 4              | 807266      | ČSN 02<br>5116.2 | Rukoväť s čapom            | 1        | 0.12           | 28a | 807014 | 4 04 08 017     | Krúžok s poistkou | 1 | 0.1<br>SN40A<br>- 50A |
| 5              | 807162      | 2 04 31 055      | Ručné kolo                 | 1        | 4.9            | 29a | 807055 | 4 04 22 526     | Kĺb               | 1 | 0.4<br>SN40A<br>- 50A |
| 6              | 807100      | 5 04 41 1151     | Skrutka                    | 1        | 0.20           | 30  | 807063 | 3 04 24 744     | Puzdro            | 1 | 1                     |
| 7              | 807185      | 4 04 28 148      | Nónius metrický            | 1        | 0.64           | 31  | 807017 | 3 04 09 1510    | Držiak matice     | 1 | 1.8                   |
| 8              | 807083      | 5 04 30 1380     | Veko                       | 1        | 0.11           | 32  | 807066 | 4 04 24 965     | Puzdro            | 1 | 0.8                   |
| 9              | 807016      | 4 04 09 739      | Príruba                    | 1        | 0.99           | 33  | 807096 | 4 04 38 465     | Skrutka           | 1 | 0.73                  |
| 10             | 807082      | 5 04 30 1378     | Páka                       | 1        | 0.29           | 34  | 807086 | 4 04 30 2455    | Náboj             | 1 | 0.85                  |
| 11             | 807052      | 4 04 21 599      | Veko                       | 1        | 0.4            | 35  | 807084 | 5 04 30 1561    | Páka              | 1 | 0.08                  |
| 12             | 807149      | S2 VK-2372       | Trubka                     | 1        | 0.02           | 36  | 807085 | 5 04 30 1602    | Páka              | 1 | 0.2                   |
| 13             | 807099      | 5 04 41 1148     | Skrutka                    | 2        | 0.04           | 37  | 807039 | 4 04 16 1006    | Ozubené kolo      | 1 | 1.40                  |
| 14             | 807113      | 5 04 51 558      | Pružina                    | 2        | 0.015          | 38  | 807022 | 4 04 11 1960    | Hriadeľ VII       | 1 | 0.5                   |
| 15             | 807024      | 5 04 11 1964     | Palec                      | 2        | 0.05           | 39  | 807069 | 5 04 26 1960    | Krúžok            | 1 | 0.05                  |
| 16             | 807104      | S3 VK-2390       | Kryt                       | 1        | 0.05           | 40  | 807035 | 3 50 16 394     | Pastorok VI       | 1 | 1.45                  |
| 17             | 807119      | 4 04 54 668      | Kryt                       | 1        | 0.065          | 41  | 807062 | 4 04 24 742     | Krúžok            | 1 | 0.2                   |
| 18             | 807122      | 4 04 50 213      | Tesnenie                   | 1        | 0.01           | 42  | 807181 | 4 04 16 1002    | Ozubené kolo      | 1 | 1.93                  |
| 19             | 807157      | 4 04 23 925      | Puzdro                     | 1        | 0.26           | 43  | 807074 | 5 04 26 1966    | Krúžok            | 1 | 0.17                  |
| 20             | 807095      | 5 04 34 3073     | Príložka                   | 2        | 0.02           | 44  | 807037 | 4 04 16 100     | Ozubené kolo      | 1 | 1                     |
| 21             | 807189      | 4 04 38 582      | Matica                     | 1        | 0.39           | 45  | 807180 | 3 04 16 997     | Pastorok          | 1 | 0.86                  |
| 22             | 807123      | 4 50 50 088      | Tesnenie                   | 1        | 0.01           | 46  | 807070 | 5 04 26 1961    | Krúžok            | 1 | 0.11                  |
| 23             | 807116      | 4 04 53 1649     | Kryt                       | 1        | 0.17           | 47  | 807058 | 5 04 23 761     | Puzdro            | 2 | 0.1                   |
|                |             |                  |                            |          |                | 48  | 807026 | 4 04 11 2305    | Hriadeľ           | 1 | 0.5                   |
|                |             |                  |                            |          |                | 49  | 807043 | 4 04 16 1588    | Medzikolo         | 1 | 0.5                   |

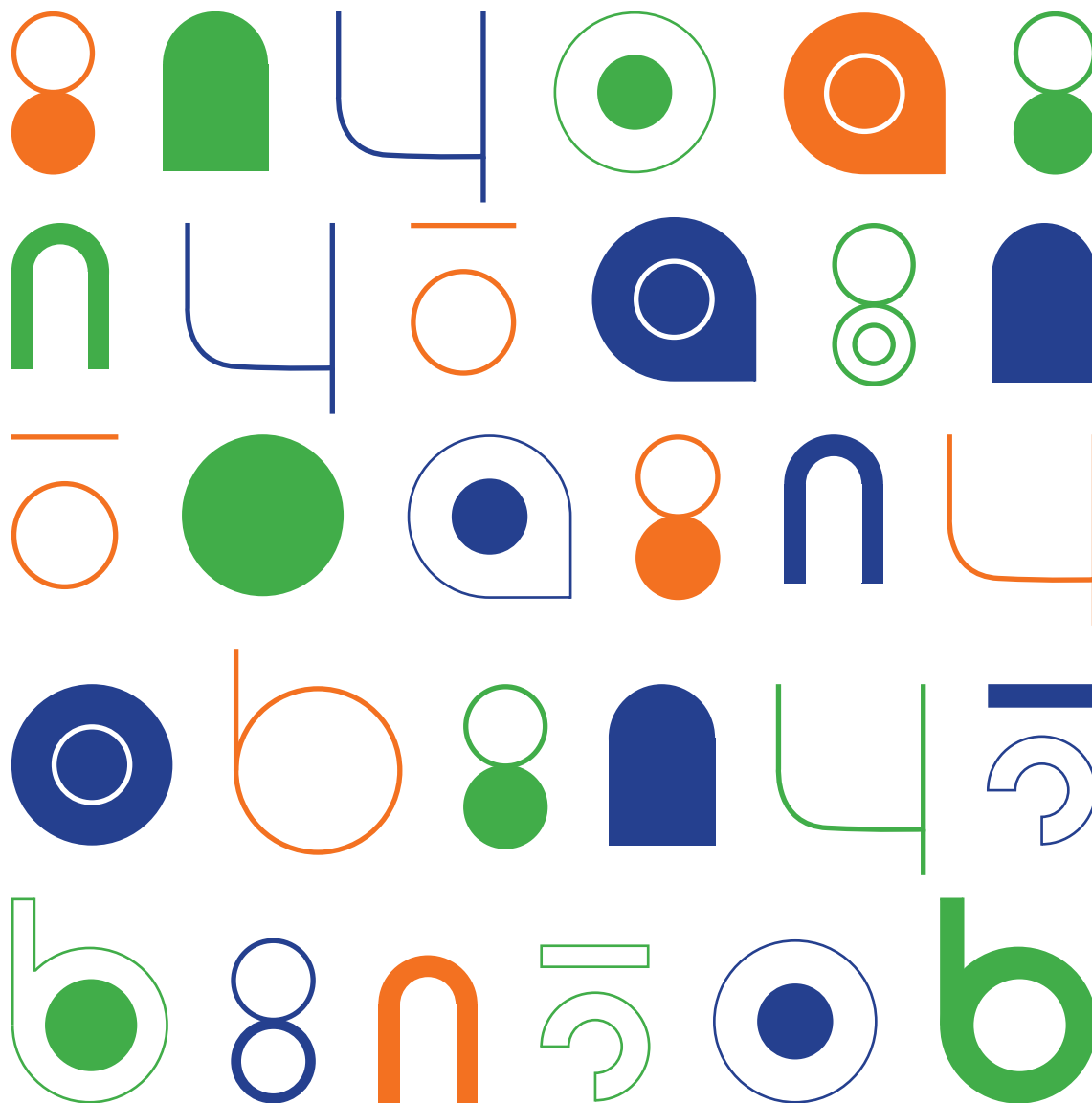
| 1  | 2      | 3               | 4                     | 5 | 6     | 1   | 2      | 3            | 4               | 5 | 6                       |
|----|--------|-----------------|-----------------------|---|-------|-----|--------|--------------|-----------------|---|-------------------------|
| 50 | 807064 | 4 04 24 764     | Vložka                | 1 | 0.12  | 77  | 807044 | 3 04 16 1604 | Ozubené kolo    | 1 | 0.65                    |
| 51 | 807023 | 4 04 11 1961    | Hriadeľ               | 1 | 0.46  | 78  | 807121 | 5 04 58 689  | Tesnenie        | 1 | 0.006                   |
| 52 | 807124 | 3 04 60<br>1348 | Úplný presúvač zadný  | 1 | 0.82  | 79  | 807032 | 5 04 15 178  | Piest           | 1 | 0.073                   |
| 53 | 807125 | 3 04 60 1349    | Úplný presúvač predný | 1 | 0.82  | 80  | 807002 | 4 04 03 439  | Teleso čerpadla | 1 | 0.65                    |
| 54 | 807068 | 5 04 26 1959    | Krúžok                | 1 | 0.016 | 81  | 807111 | 4 04 51 557  | Pružina         | 1 | 0.007                   |
| 55 | 807045 | 4 04 16 1688    | Ozubené kolo          | 2 | 0.17  | 82  | 807110 | 4 04 51 556  | Pružina         | 1 | 0.0002                  |
| 56 | 807025 | 5 04 11 1965    | Čap                   | 2 | 0.06  | 83  | 807072 | 5 04 26 1964 | Krúžok          | 2 | 0.27                    |
| 57 | 807028 | 5 04 11 2788    | Hriadeľ               | 1 | 0.51  | 84  | 807048 | 4 04 18 909  | Šnek            | 1 | 0.742                   |
| 58 | 807012 | 4 04 07 220     | Páka pumpy            | 1 | 0.63  | 29b | 807300 | 4 50 30 217  | Kĺb páky        | 1 | 0.38<br>SN40<br>- 50    |
| 59 | 807005 | 4 04 05 811     | Držiak predný         | 1 | 0.2   | 28b | 807304 | 4 50 26 492  | Krúžok          | 1 | 0.18<br>SN40B<br>- 50B  |
| 60 | 807006 | 4 04 05 812     | Držiak zadný          | 1 | 0.2   |     |        |              |                 |   |                         |
| 61 | 807075 | 5 04 26 1967    | Krúžok                | 1 | 0.04  |     | 807301 | S4 VK-1572   | Piest páky      | 1 | 0.005<br>SN40B<br>- 50B |
| 62 | 807077 | 5 04 26 2711    | Krúžok                | 2 | 0.008 |     |        |              |                 |   |                         |
| 63 | 807107 | 5 04 46 1106    | Kolík                 | 2 | 0.04  |     | 807302 | S4 51-0182   | Pružina piestu  | 2 | 0.01<br>SN40B<br>- 50B  |
| 64 | 807021 | 4 04 11 1959    | Hriadeľ IV            | 1 | 0.5   |     |        |              |                 |   |                         |
| 65 | 807040 | 4 04 16 1007    | Ozubené kolo          | 2 | 0.5   |     |        |              |                 |   |                         |
| 66 | 807076 | 5 04 26 1968    | Vložka                | 1 | 0.063 |     |        |              |                 |   |                         |
| 67 | 807038 | 4 04 16 100     | Ozubené kolo          | 1 | 0.65  |     |        |              |                 |   |                         |
| 68 | 807041 | 4 04 16 1008    | Ozubené kolo          | 2 | 0.156 |     |        |              |                 |   |                         |
| 69 | 807036 | 4 04 16 999     | Ozubené kolo          | 4 | 0.153 |     |        |              |                 |   |                         |
| 70 | 807042 | 4 04 16 1009    | Ozubené kolo          | 2 | 0.2   |     |        |              |                 |   |                         |
| 71 | 807080 | 5 04 28 215     | Ukazovateľ            | 1 | 0.001 |     |        |              |                 |   |                         |
| 72 | 807020 | 4 04 11 1958    | Hriadeľ III           | 1 | 0.73  |     |        |              |                 |   |                         |
| 73 | 807059 | 5 04 23 762     | Puzdro                | 1 | 0.09  |     |        |              |                 |   |                         |
| 74 | 807049 | 4 04 18 913     | Šnekové kolo          | 1 | 0.6   |     |        |              |                 |   |                         |
| 75 | 807071 | 5 04 26 1962    | Krúžok                | 1 | 0.184 |     |        |              |                 |   |                         |
| 76 | 807019 | 3 04 11 1957    | Hriadeľ II            | 1 | 1.5   |     |        |              |                 |   |                         |

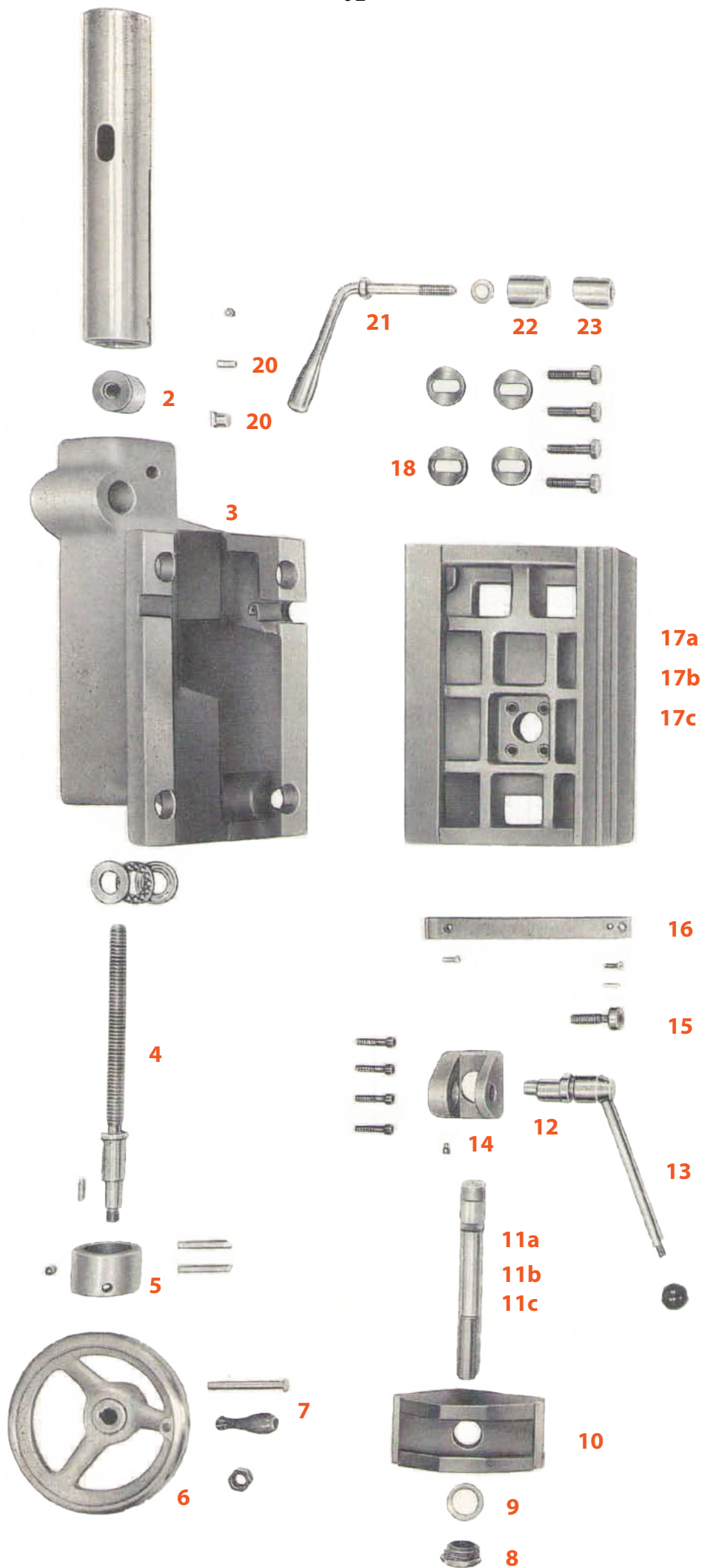




| 1              | 2           | 3             | 4                | 5        | 6                      | 1   | 2      | 3                | 4               | 5 | 6                      |
|----------------|-------------|---------------|------------------|----------|------------------------|-----|--------|------------------|-----------------|---|------------------------|
| Poradové číslo | Bežné číslo | Číslo výkresu | Názov            | Počet ks | Váha / ks (kg)         |     |        |                  |                 |   |                        |
|                |             |               |                  |          |                        | 17  | 804045 | 4 04 34 1994     | Príložka        | 1 | 0.50<br>SN40A<br>- 50A |
|                |             |               |                  |          |                        | 18  | 804044 | 5 04 34 1990     | Príložka        | 1 | 0.010                  |
| 1              | 804036      | 3 04 33 325   | Lišta            | 1        | 1.75                   | 19  | 804077 | 5 04 41 1739     | Skrutka         | 2 | 0.11                   |
| 2              | 804103      | 4 04 52 541   | Kryt             | 1        | 0.12                   | 20  | 804052 | 5 04 34 3050     | Lišta           | 1 | 0.3                    |
| 3              | 804073      | 5 04 41 1474  | Skrutka          | 4        | 0.05                   | 21  | 804063 | S4 VK-2673       | Prídržná lišta  | 1 | 3.50                   |
| 4              | 804003      | 1 04 01 609   | Priečny suport   | 1        | 40                     | 22  | 804064 | S4 VK-2674       | Šmyková lišta   | 1 | 0.8                    |
| 5aa            | 804267      | 1 04 01 717   | Sane suportu     | 1        | 38<br>SN40<br>- 45     | 23  | 804017 | 3 04 16 1910     | Pastorok        | 1 | 1.3                    |
| 5ba            | 804320      | 1 04 01 718   | Sane suportu     | 1        | 45<br>SN50             | 24  | 804008 | 3 04 09 1429     | Ložisko         | 1 | 2.14                   |
| 6a             | 804049      | 4 04 34 2000  | Príložka         | 1        | 0.02                   | 25  | 804124 | 4 04 28 300      | Nónius metrický | 1 | 0.28                   |
| 6b             | 804386      | 4 50 34 399   | Príložka         | 1        | 0.02                   | 26  | 804009 | 4 04 09 944      | Bubienok        | 1 | 0.8                    |
| 7              | 804097      | 5 04 52 536   | Stierač          | 2        | 0.001                  | 27  | 804243 | ČSN 02<br>5116.2 | Rukoväť s čapom | 1 | 0.10                   |
| 8a             | 804098      | 5 04 52 537   | Stierač          | 1        | 0.001                  | 28  | 804070 | 5 04 41 1470     | Skrutka         | 2 | 0.015                  |
| 8b             | 804100      | 5 04 52 539   | Stierač          | 2        | 0.001                  | 29  | 804129 | 3 04 38 410      | Skrutka         | 1 | 1.5                    |
| 9              | 804106      | 5 04 58 895   | Stierač plstenný | 2        | 0.0006                 | 30a | 804281 | 4 04 38 486      | Matica          | 1 | 0.43<br>SN40<br>- 45   |
| 10a            | 804046      | 4 04 34 1995  | Príložka         | 1        | 0.72<br>SN40<br>- 50   | 30b | 804338 | 4 04 38 488      | Matica          | 1 | 0.72<br>SN50           |
| 10b            | 804382      | 4 50 34 397   | Príložka         | 1        | 0.72<br>SN40<br>- 50   | 31  | 804060 | 5 04 11 3026     | Čap             | 1 | 0.09                   |
| 11             | 804047      | 4 04 34 1997  | Príložka         | 1        | 0.17                   | 32  | 804023 | 4 04 24 919      | Príruba         | 1 | 0.33                   |
| 12             | 804096      | 5 04 52 535   | Stierač          | 1        | 0.001                  | 33  | 804026 | 5 04 26 2561     | Podložka        | 2 | 0.02                   |
| 14a            | 804043      | 5 04 34 1989  | Príložka         | 1        | 0.01<br>SN40A<br>- 50A | 34  | 804078 | 5 04 42 984      | Matica          | 2 | 0.008                  |
| 14b            | 804388      | 4 50 34 400   | Stierač          | 1        | 0.01<br>SN40A<br>- 50A | 35  | 804018 | 4 04 21 652      | Viečko          | 1 | 0.34                   |
| 15             | 804099      | 5 04 52 538   | Stierač          | 2        | 0.001                  | 36  | 804054 | 2 04 35 730      | 4-nožová hlava  | 1 | 6.2                    |
| 16             | 804107      | 5 04 58 896   | Stierač          | 2        | 0.001                  | 37  | 804025 | 5 04 26 3036     | Krúžok          | 1 | 0.052                  |
|                |             |               |                  |          |                        | 38  | 804027 | 5 04 26 3034     | Krúžok          | 1 | 0.072                  |

| 1   | 2      | 3               | 4                | 5 | 6                      | 1   | 2      | 3           | 4                         | 5 | 6           |
|-----|--------|-----------------|------------------|---|------------------------|-----|--------|-------------|---------------------------|---|-------------|
| 39  | 804024 | 4 04 24 1034    | Puzdro           | 1 | 0.30                   | 5bb | 804321 | 1 50 01 189 | Sane suportu              | 1 | 42<br>SN50B |
| 40  | 804057 | 4 04 38 402     | Skrutka          | 1 | 0.29                   | 61  | 804514 |             | Skrutka nožovej hlavy M14 | 8 | 0.1         |
| 41  | 804031 | 4 04 30 1751    | Nástrčkový kľúč  | 1 | 0.58                   | 62  | 804550 |             | Stavacia skrutka          | 2 | 0.05        |
| 42  | 804256 | 4 04 38 403     | Puzdro           | 1 | 0.55                   | 63  | 804552 |             | Stavacia skrutka          | 2 | 0.05        |
| 43a | 804269 | 2 04 01 605     | Vedenie suportu  | 1 | 6.2<br>SN40A           | 64  | 804554 |             | Skrutka a matka           | 1 | 0.08        |
| 43b | 804297 | 2 04 01 801     | Vedenie suportu  | 1 | 7.0<br>SN45A<br>- 50A  |     |        |             |                           |   |             |
| 44  | 804059 | 2 04 06 964     | Krížový suport   | 1 | 10                     |     |        |             |                           |   |             |
| 45  | 804037 | 3 04 33 326     | Lišta            | 1 | 0.22                   |     |        |             |                           |   |             |
| 46  | 804011 | 5 04 11 1979    | Čap              | 1 | 0.35                   |     |        |             |                           |   |             |
| 47  | 804030 | 4 04 30 1750    | Západka          | 1 | 0.02                   |     |        |             |                           |   |             |
| 48  | 804084 | 5 04 51 681     | Pružina aretácie | 1 | 0.018                  |     |        |             |                           |   |             |
| 49  | 804021 | 5 04 23 936     | Puzdro           | 1 | 0.045                  |     |        |             |                           |   |             |
| 50  | 804242 | ČSN<br>025116.2 | Rukoväť s čapom  | 1 | 0.08                   |     |        |             |                           |   |             |
| 51  | 804202 |                 | Podložka         | 2 | 0.018                  |     |        |             |                           |   |             |
| 52  | 804016 | 4 04 09 1427    | Náboj            | 1 | 0.75                   |     |        |             |                           |   |             |
| 53  | 804122 | 4 04 28 209     | Nónius metrický  | 1 | 0.20                   |     |        |             |                           |   |             |
| 54  | 804032 | 4 04 30 1754    | Viečko           | 1 | 0.22                   |     |        |             |                           |   |             |
| 55  | 804015 | 4 04 16 1454    | Pastorok         | 1 | 0.13                   |     |        |             |                           |   |             |
| 56  | 804127 | 4 04 38 408     | Skrutka          | 1 | 0.30                   |     |        |             |                           |   |             |
| 57  | 804005 | 2 04 09 1481    | Ložisko          | 1 | 1.40                   |     |        |             |                           |   |             |
| 58  | 804079 | 5 04 42 985     | Matica           | 2 | 0.03                   |     |        |             |                           |   |             |
| 59  | 804012 | 5 04 11 2514    | Čap              | 1 | 0.025                  |     |        |             |                           |   |             |
| 60  | 804134 | 4 04 38 940     | Matica           | 1 | 0.12                   |     |        |             |                           |   |             |
| 14a | 804042 | 4 50 34 400     | Príložka         | 1 | 0.02<br>SN40B<br>- 50B |     |        |             |                           |   |             |
| 5ab | 804268 | 1 50 01 188     | Sane suportu     | 1 | 38<br>SN40B<br>- 45B   |     |        |             |                           |   |             |







| 1              | 2           | 3                | 4               | 5        | 6              | 1   | 2      | 3           | 4            | 5 | 6            |
|----------------|-------------|------------------|-----------------|----------|----------------|-----|--------|-------------|--------------|---|--------------|
| Poradové číslo | Bežné číslo | Číslo výkresu    | Názov           | Počet ks | Váha / ks (kg) |     |        |             |              |   |              |
| 0              | 805300      | 1 50 70 244      | Koník-zostava   | 1        | 50<br>SN40     | 17b | 805380 | 2 50 01 131 | Doska        | 1 | 19.5<br>SN45 |
|                |             | 1 50 70 244      | Koník-zostava   | 1        | 57<br>SN45     | 17c | 805407 | 2 50 01 132 | Doska        | 1 | 23<br>SN50   |
|                |             | 1 50 70 244      | Koník-zostava   | 1        | 63<br>SN50     | 18  | 805330 | 4 50 43 075 | Podložka     | 4 | 0.10         |
| 1              | 805308      | 2 04 10 266      | Pinola          | 1        | 1.60           | 19  | 805318 | 5 04 35 639 | Kameň        | 1 | 0.04         |
| 2              | 805320      | 4 04 38 384      | Matica          | 1        |                | 20  | 805332 | 5 04 46 362 | Kolík        | 1 | 0.01         |
| 3              | 805302      | 1 50 03 194      | Teleso koníka   | 1        | 30             | 21  | 805313 | 4 50 30 325 | Páka         | 1 | 0.06         |
| 4              | 805322      | 3 04 38 385      | Skrutka         | 1        | 0.76           | 22  | 805323 | S4 25 0525  | Čelusť horná | 1 | 0.27         |
| 5              | 805310      | 4 04 24 893      | Ložisko         | 1        | 1              | 23  | 805324 | S4 25 0526  | Čelusť dolná | 1 | 0.25         |
| 6              | 805314      | 2 04 31 067      | Koleso          | 1        | 2.32           |     |        |             |              |   |              |
| 7              | 805342      | ČSN 02<br>5116.2 | Rukoväť s čapom | 1        | 0.10           |     |        |             |              |   |              |
| 8              | 805326      | 4 50 41 232      | Matica          | 1        | 0.12           |     |        |             |              |   |              |
| 9              | 805331      | 4 50 43 084      | Podložka        | 1        | 0.02           |     |        |             |              |   |              |
| 10             | 805305      | 3 50 08 294      | Úpinka          | 1        | 2.76           |     |        |             |              |   |              |
| 11a            | 805358      | 4 50 41 418      | Skrutka         | 1        | 0.76<br>SN40   |     |        |             |              |   |              |
| 11b            | 805385      | 4 50 41 419      | Skrutka         | 1        | 0.85<br>SN45   |     |        |             |              |   |              |
| 11c            | 805412      | 4 50 41 420      | Skrutka         | 1        | 0.98<br>SN50   |     |        |             |              |   |              |
| 12             | 805315      | 3 50 12 008      | Excenter        | 1        | 0.80           |     |        |             |              |   |              |
| 13             | 805311      | 4 50 30 430      | Páka            | 1        | 0.22           |     |        |             |              |   |              |
| 14             | 805304      | 3 50 05 219      | Ložisko         | 1        | 0.68           |     |        |             |              |   |              |
| 15             | 805325      | 4 04 41 2148     | Skrutka         | 1        | 0.09           |     |        |             |              |   |              |
| 16             | 805316      | 4 04 34 3312     | Lišta           | 1        | 0.45           |     |        |             |              |   |              |
| 17a            | 805353      | 2 50 01 130      | Doska           | 1        | 16<br>SN40     |     |        |             |              |   |              |